

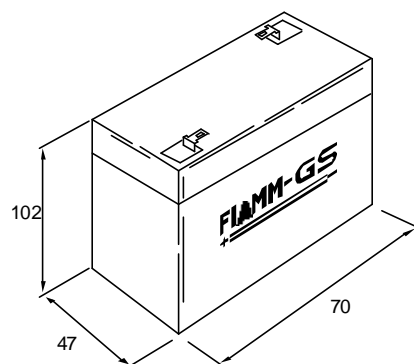
TECHNICAL DATA SHEET OF 6V 4,5Ah (FG 10451)

FIAMM-GS

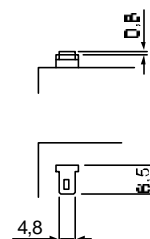
Performance Specification for battery type FG 10451

Nominal Voltage	6 Volts
Nominal Capacity	
at 20 hour rate (225 mA to 5,25 Volts)	4,5 Ah
at 10 hour rate (406 mA to 5,25 Volts)	4,06 Ah
at 5 hour rate (736 mA to 5,1 Volts)	3,69 Ah
at 1 hour rate (2,61 A to 4,5 Volts)	2,61 Ah
Dimension (mm)	Length=70, Width=47, Height=102
Approximate weight	0,89 kg
Energy Density	81,25 Wh/l
Specific Energy	32,14 Wh/kg
Internal Resistance (Fully charged battery)	18 m Ω
Maximum discharge current in 1 minute discharge	24 A
Maximum discharge current in 5 seconds discharge	45 A
Recommended charging tension (temperature=20°C)	
floating use: 6,7-6,9 V	cyclic use: 7,2-7,5 V
Thermal compensation factor	
floating use: -9mV/°C	cyclic use: -15mV/°C
Maximum charging current	1,2 A
Terminals	Flat lug type 4,8 mm
Vibration Test (2000 cycles/minute, 2,55 mm excursion, 2 hours)	No loss in capacity or performance
Shelf life - % of nominal capacity at 20°C	
1 month	97%
3 months	91%
6 months	83%
Storage temperature	-20°C to 40°C
Operative temperature Range	
Charge	0°C to 40°C
Discharge	-20°C to 50°C
Case material	Acrylonitrile-Butadiene-Styrene
	Standard Case: According to UL-94 HB
	Also available according to UL-94 V0
Life expectancy (Stand-by)	3 to 5 years according to Eurobat standards

Battery dimensions (mm)



Terminal type (mm)



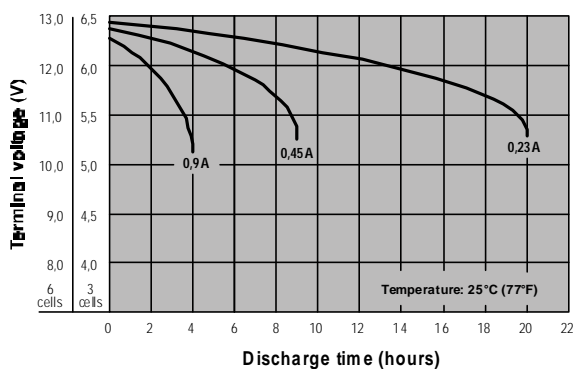
Constant Power Discharge Table (Watt)

Time	5'	10'	15'	20'	30'	45'	1h	2h	3h	5h	10h	20h
1,8V/Cell	21,5	16,6	13,8	12,0	9,07	6,63	5,39	2,96	2,15	1,41	0,80	0,44
1,75V/Cell	23,6	17,7	14,6	12,1	9,15	6,72	5,47	3,07	2,23	1,47	0,81	0,45
1,7V/Cell	25,2	19,1	15,2	12,7	9,49	6,80	5,55	3,15	2,30	1,51	0,82	0,45
1,65V/Cell	26,9	20,1	15,6	12,9	9,61	6,89	5,60	3,20	2,33	1,55	0,83	0,46
1,6V/Cell	28,1	20,6	15,8	13,0	9,66	6,97	5,64	3,24	2,36	1,57	0,83	0,46

Constant Current Discharge Table (Ampere)

Time	5'	10'	15'	20'	30'	45'	1h	2h	3h	5h	10h	20h
1,8V/Cell	13,9	9,68	6,93	5,99	4,50	3,51	2,75	1,56	1,10	0,71	0,42	0,22
1,75V/Cell	14,8	10,2	7,34	6,26	4,73	3,62	2,79	1,60	1,14	0,75	0,42	0,23
1,7V/Cell	16,0	10,8	8,28	6,48	4,91	3,65	2,88	1,62	1,16	0,77	0,43	0,23
1,65V/Cell	16,8	11,1	8,54	6,70	5,01	3,73	2,98	1,67	1,18	0,79	0,44	0,24
1,6V/Cell	17,1	11,3	8,64	6,80	5,18	3,77	3,02	1,69	1,21	0,80	0,45	0,24

Discharge time vs. discharge current



Discharge time vs. discharge current

