



DC COMPONENTS CO., LTD.

RECTIFIER SPECIALISTS

KBU8A / RS801
THRU
KBU8M / RS807

TECHNICAL SPECIFICATIONS OF SINGLE-PHASE SILICON BRIDGE RECTIFIER

VOLTAGE RANGE - 50 to 1000 Volts

CURRENT - 8.0 Amperes

FEATURES

- * Low leakage
- * Low forward voltage
- * Surge overload rating: 250 Amperes peak

MECHANICAL DATA

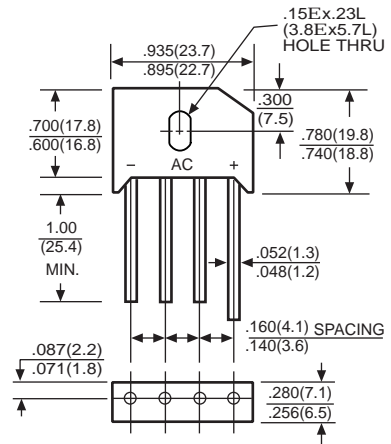
- * Case: Molded plastic
- * Epoxy: UL 94V-0 rate flame retardant
- * Lead: MIL-STD-202E, Method 208 guaranteed
- * Polarity: Symbols molded or marked on body
- * Mounting position: Any
- * Weight: 4.8 grams

MAXIMUM RATINGS AND ELECTRICAL CHARACTERISTICS

Ratings at 25 °C ambient temperature unless otherwise specified.
Single phase, half wave, 60 Hz, resistive or inductive load.
For capacitive load, derate current by 20%.



KBU



Dimensions in inches and (millimeters)

	SYMBOL	KBU8A	KBU8B	KBU8D	KBU8G	KBU8J	KBU8K	KBU8M	UNITS
		RS801	RS802	RS803	RS804	RS805	RS806	RS807	
Maximum Recurrent Peak Reverse Voltage	VRRM	50	100	200	400	600	800	1000	Volts
Maximum RMS Bridge Input Voltage	VRMS	35	70	140	280	420	560	700	Volts
Maximum DC Blocking Voltage	VDC	50	100	200	400	600	800	1000	Volts
Maximum Average Forward Rectified Output Current at Tc = 75°C	Io	8.0							Amps
Peak Forward Surge Current 8.3 ms single half sine-wave superimposed on rated load	IFSM	250							Amps
Maximum Forward Voltage Drop per element at 4.0A DC	VF	1.0							Volts
Maximum DC Reverse Current at Rated DC Blocking Voltage per element	IR	@TA = 25°C							uAmps
		@Tc = 100°C							
I ² t Rating for Fusing (t<8.3ms)	I ² t	127							A ² Sec
Typical Junction Capacitance (Note1)	CJ	186							pF
Typical Thermal Resistance (Note 2)	RθJA	10							°C/W
Operating and Storage Temperature Range	TJ,TSTG	-55 to + 150							°C

NOTES : 1. Measured at 1 MHz and applied reverse voltage of 4.0 volts

2. Thermal Resistance from Junction to Ambient and from junction to leadmounted on P.C.B. with 0.47 x 0.47" (12x12mm) copper pads.