

Datasheet

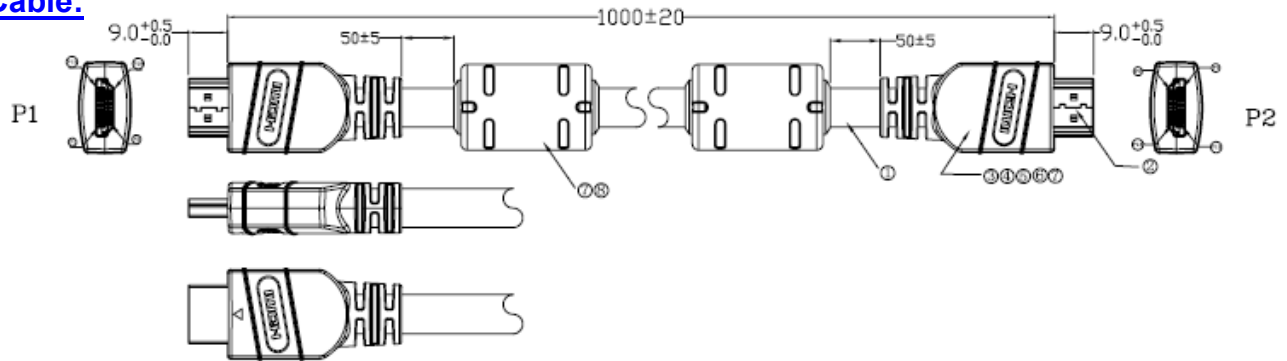


Article No. 02-1280

Description: HDMI CABLE M>M High Speed Ethernet 1.00m



Cable:



1	Cable	1 pcs	5 x (28AWG 1P+D+AL+MY) + (28 AWG 4C+D+AL) PVC Jacket Ø 7.3 mm
2	HDMI Plug	2 pcs	HDMI A Type 19p/m, gold plated 3µ" Shell gold plated 1µ", soldered
3	H.S. Tube	8 pcs	Ø 0.6 x 15 mm black super thin
4	H.S. Tube	2 pcs	Ø 1.0 x 16 mm black super thin
5	H.S. Tube	8 pcs	Ø 0.2.5 x 6 mm black super thin
6	PE	12 gr	PE : LDPE Nature
7	PVC	8 gr	45p PVC Black
8	Ferrite	2 pcs	28.5 x Ø 17.5 x Ø 9.5 mm

Specifications:

HDMI 1.4 certificate 1.3c compliant
 Cable mark: High Speed HDMI® with Ethernet
 Oxygen Free Copper Conductor
 100% Triple Shield
 24k gold plated

Electrical:

100% open & short test
 Hi-Pot: DC 300V 10ms
 insulation Resistance: 10MΩ Min

Impedance:

28 AWG cable: 2.0 Ω Max

Working Temperature:

-25°C ~ +85°C

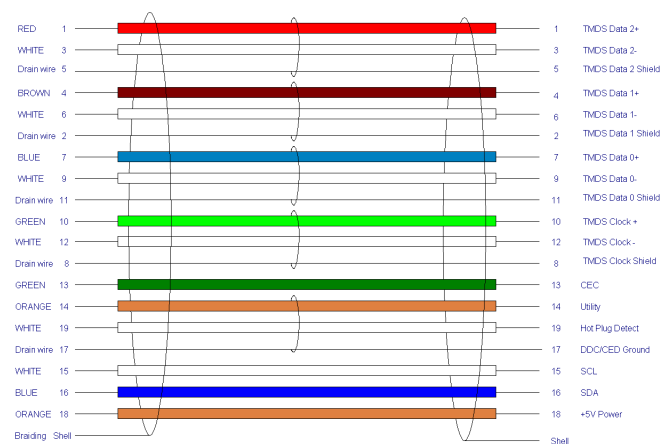
Mechanical:

Insulator Material: PVC& PE Low Density
 Contact: Copper Alloy
 Insertion Force: 44.1 N Max
 Withdraw Force: 9.8 N Min

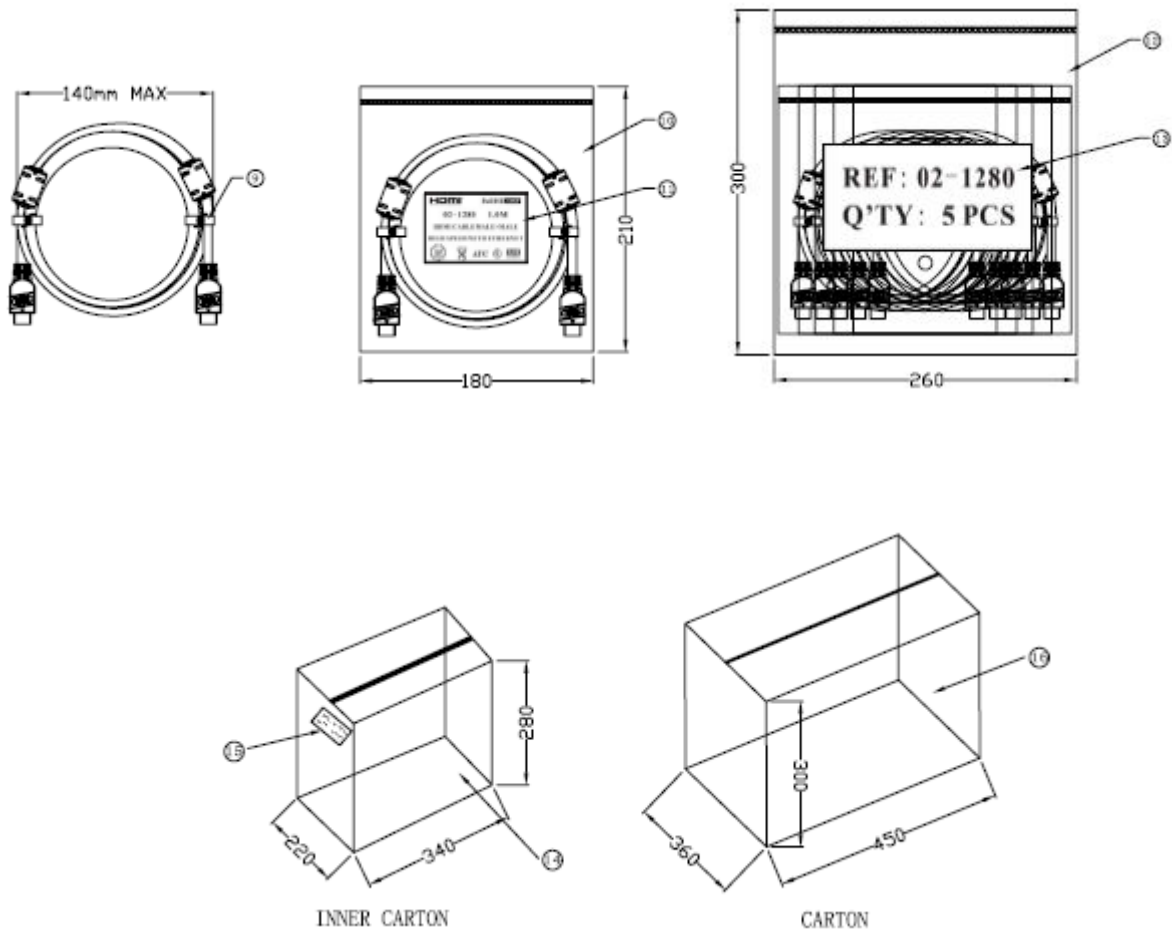
Standard Compliant

CE, FCC, RoHS

Connection:



Packing:



- 1 pcs PVC bag + reference label
- 5 pcs PE bag + reference label
- 60 pcs Inner carton + reference label
- 120 pcs Export carton