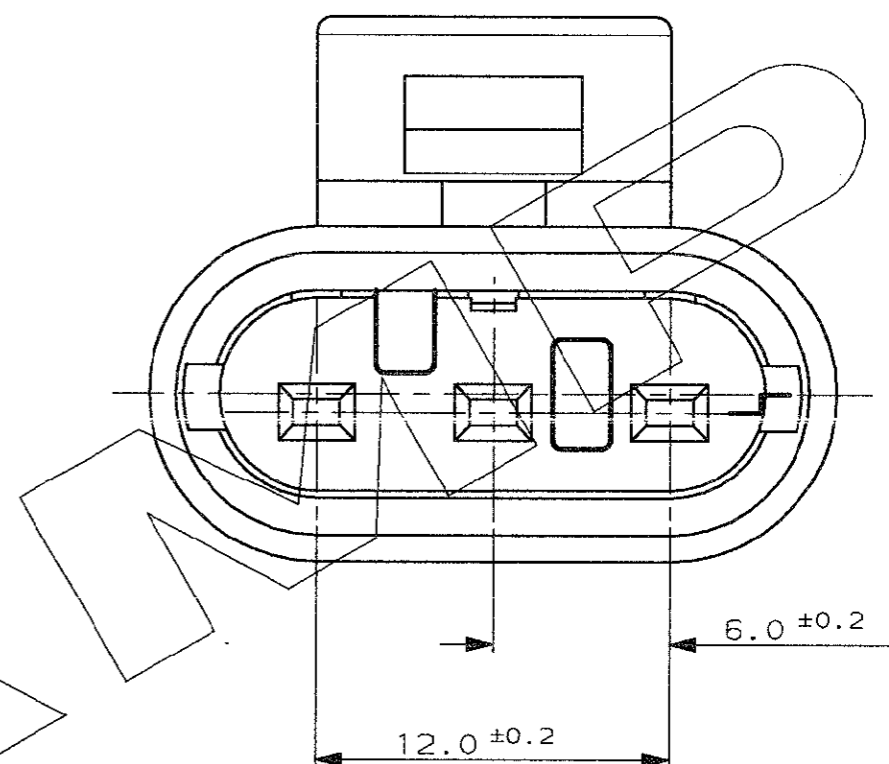
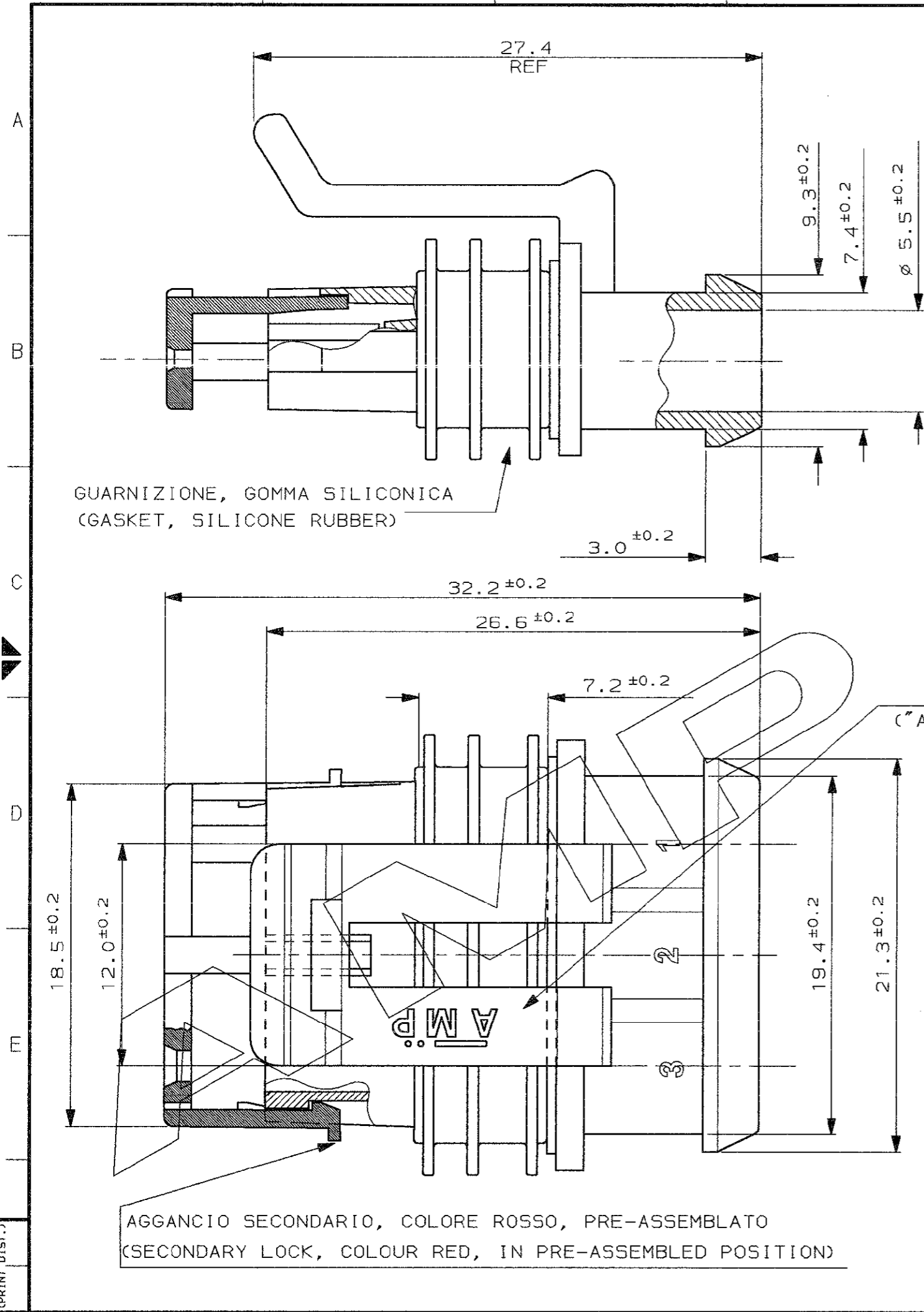


SCALA NON IMPEGNATIVA
(DO NOT SCALE)
DIMENSIONI IN mm
(DIMENSIONS IN mm)

METRIC

PROIEZIONE EUROPEA
(EUROPEAN PROJECTION)



1) PER RAPPRESENTAZIONE DIMA CONTROPARTE
VEDERE FOGLIO 2 DI 2.
(FOR COUNTERPART DETAIL SEE SHEET 2 OF 2)

GRIGIO (GREY)	PA 6.6 CAR. VETRO	282087-2
NERO (BLACK)	(PA 6.6 G.F.)	282087-1
FINITURA / COLORE (FINISH / COLOUR)	MATERIALE (MATERIAL)	NUMERO (PART NUMBER)

CUSTOMER DWG. FOR REFERENCE ONLY DISEGNO PER CLIENTE SOLO PER RIFERIMENTO

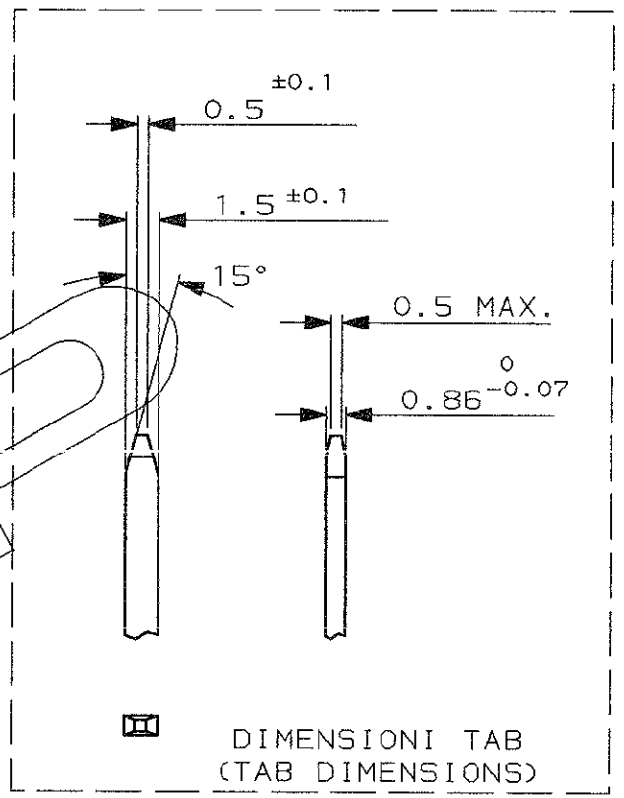
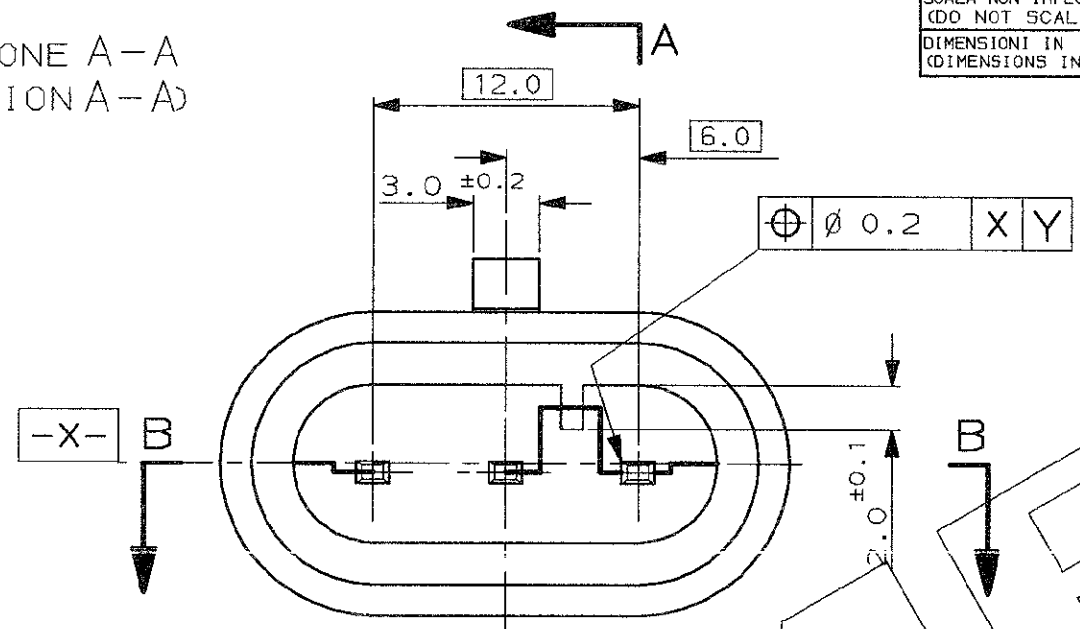
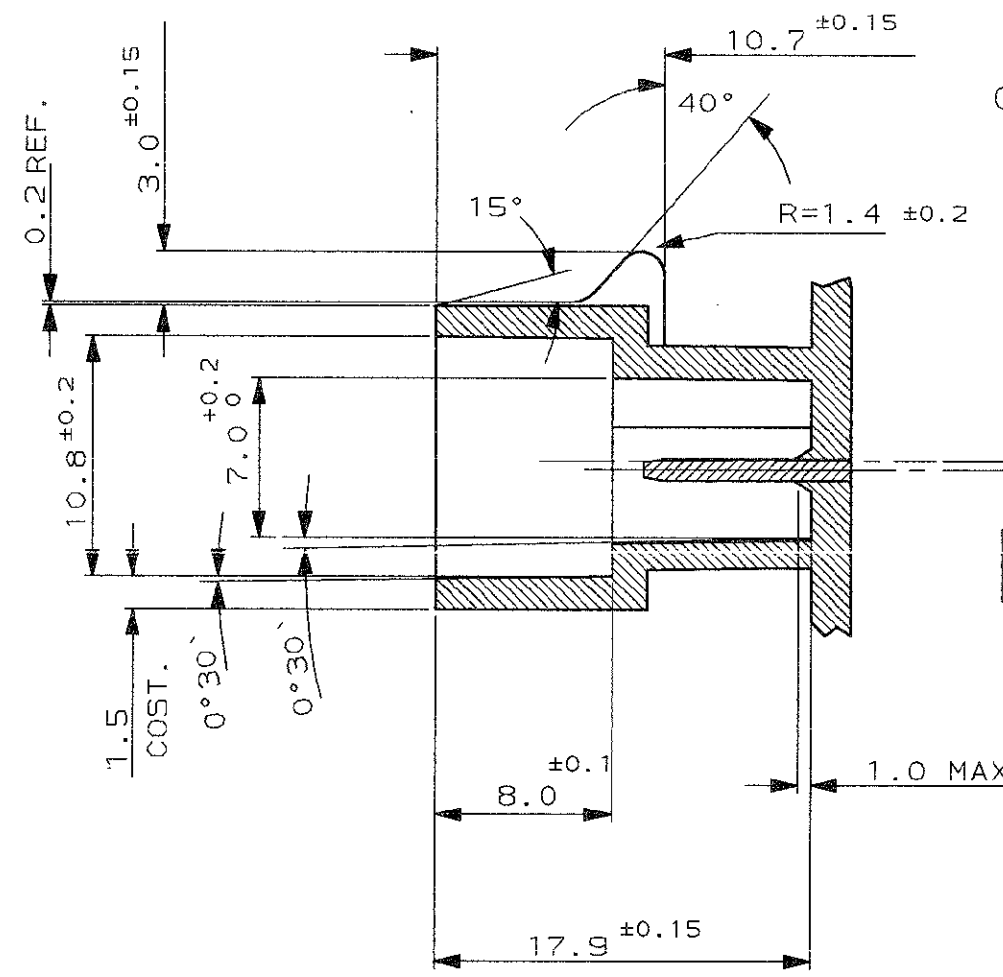
B3	REVISED PER ET00-0008-04	P.Z. 20-1	20-1
B2	REVISED FOR ET00-0211-99	M.G. 21-6	21-6
B1	REVISED FOR ET00-0072-98	M.P. 07-4	07-4
B	UPDATED ET00-0490-97	00-12	97
A1	UPDATED (ET00-0342-96)	C B 24-9	96
A	SEE SHEET 2 OF 2	C B 29-4	94
5	UPDATED	C B 12	92
4	ADDED PN ...-2	C B 8	92
3	UPDATED	C B 1	92
2	UPDATED	C B 7	90
REV.	REVISIONI (REVISION RECORD)	DIS. DATA (DR) (DATE)	APP. DATA (APP.) (DATE)

THIS DRAWING IS UNPUBLISHED		RELEASE FOR PUBLICATION	19
© COPYRIGHT 19 BY AMP INCORPORATED, HARRISBURG, PA. ALL INTERNATIONAL RIGHT RESERVED. AMP PRODUCTS MAY BE COVERED BY U.S. AND FOREIGN PATENT AND/OR PATENT PENDING			
TOLLERANZE, SE NON DIVERSAMENTE SPECIFICATO (TOLERANCES, UNLESS OTHERWISE SPECIFIED)	DIAM. ISOLANTE (INS. DIA. RANGE)	RANGO FILO (WIRE RANGE)	SCALA (SCALE)
± 0.3	-	-	-
ANGOLI (ANGLES) ± 2°		AMP AMP ITALIA S.p.A. Corso F.lli Cervi, 15 COLLENO (TORINO)	
DIS. (DR.)	7-'90	DESCRIZIONE (DESCRIPTION)	3 POS. PLUG ASS'Y
CONT. (CHK)	-	AMP SUPERSEAL 1.5 SERIES CONN.	
LOC. (LOC.)	I A3	NUMERO (DWG NO)	C-282087
REV.	B3	FOGLIO (SHEET)	1 DI 2 (OF)

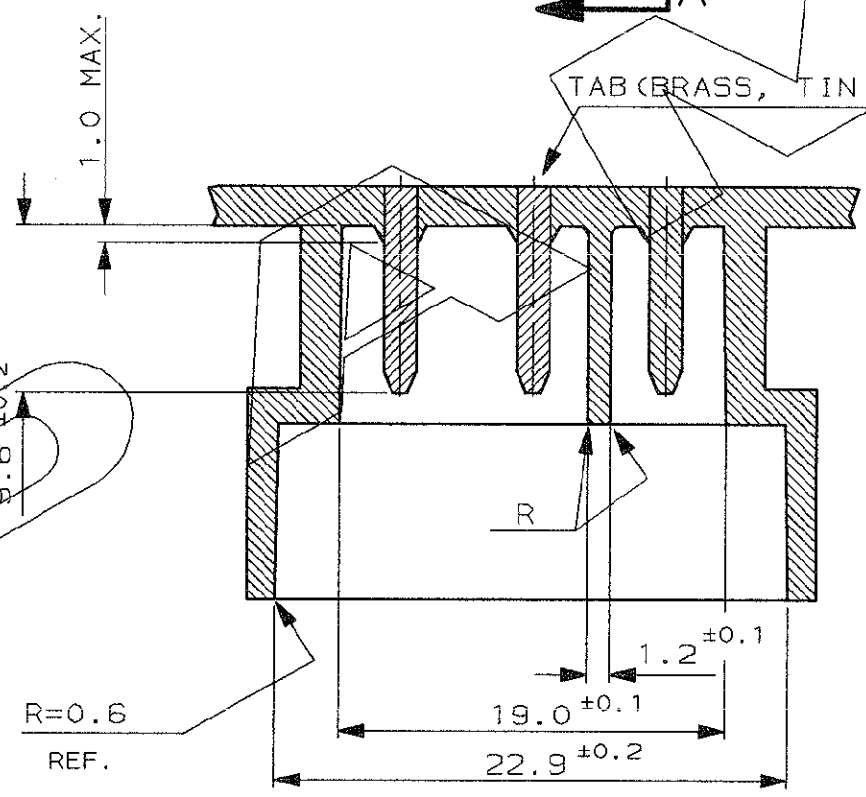
AGGANCIAMENTO SECONDARIO, COLORE ROSSO, PRE-ASSEMBLATO
(SECONDARY LOCK, COLOUR RED, IN PRE-ASSEMBLED POSITION)

DISTRIBUZIONE (PRINT DIST.)

SEZIONE A-A
 (SECTION A-A)



SEZIONE B-B
 (SECTION B-B)



RAPPRESENTAZIONE DIMA CONTROPARTE
 (COUNTERPART DETAIL AS SHOWN)



	PA 6.6 CAR. VETRO (PA 6.6 G.F.)	
FINITURA / COLORE (FINISH / COLOUR)	MATERIALE (MATERIAL)	NUMERO (PART NUMBER)
CUSTOMER DWG. FOR REFERENCE ONLY		DISEGNO PER CLIENTE SOLO PER RIFERIMENTO
-THIS DRAWING IS UNPUBLISHED-		RELEASE FOR PUBLICATION 19
© COPYRIGHT 19 BY AMP INCORPORATED, HARRISBURG, PA. ALL INTERNATIONAL RIGHT RESERVED. AMP PRODUCTS MAY BE COVERED BY U.S. AND FOREIGN PATENT AND/OR PATENT PENDING		
TOLLERANZE, SE NON DIVERSAMENTE SPECIFICATO (TOLERANCES, UNLESS OTHERWISE SPECIFIED)	DIAM. ISOLANTE (INS. DIA. RANGE)	RANGO FILO (WIRE RANGE)
± 0.3	-	-
ANGOLI (ANGLES)	SCALA (SCALE)	
± 2°	AMP AMP ITALIA S.p.A. Corso F.lli Cervi, 15 COLLENO (TORINO)	
DIS. (DR.)	5-92	DESCRIZIONE (DESCRIPTION)
C.BERTINI		3 POS. PLUG ASS'Y AMP SUPERSEAL 1.5 SERIES CONN.
CONT. (CHK)		LOC. SIZE NUMERO (APP. DWG NO)
		I A3 C-282087
REV. (REV. LTR.)	REVISIONI (REVISION RECORD)	DIS. DATA (DR) (DATE)
		APP. (APP.) A. BRUNI 5-92
		REV. B3
		Foglio (Sheet) DI (OF) 2

DISTRIBUZIONE (PRINT DIST.)