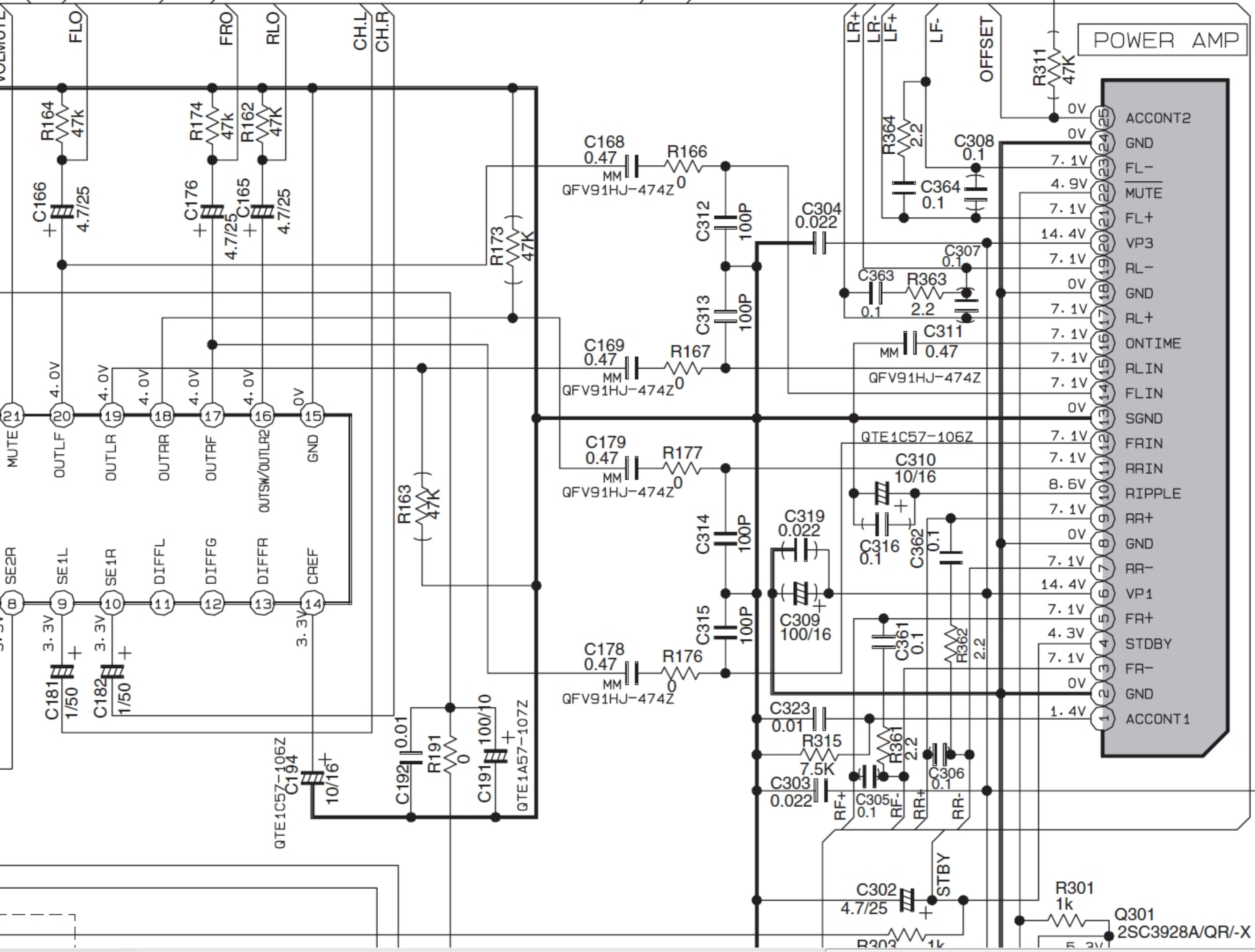


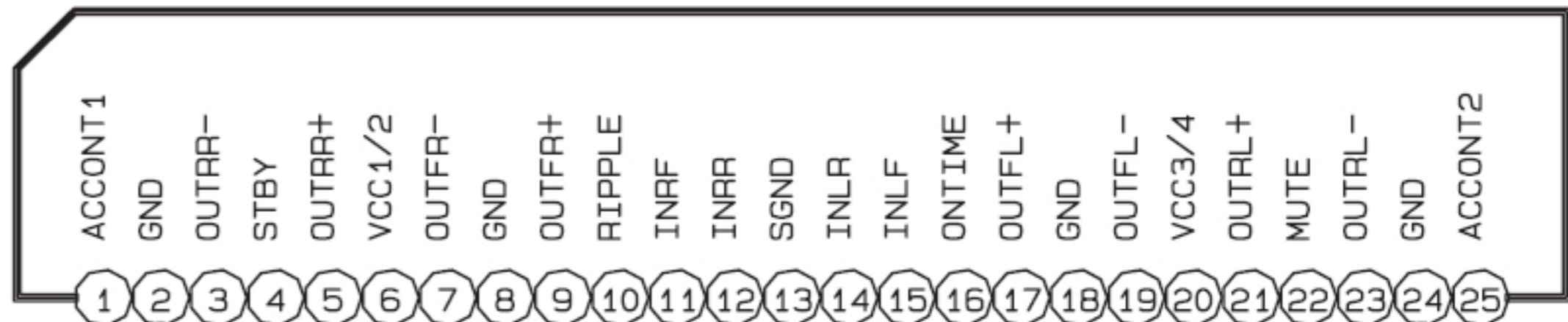
POWER AMP



- 25 ACCONT2
- 24 GND
- 23 FL-
- 22 MUTE
- 21 FL+
- 20 VP3
- 19 RL-
- 18 GND
- 17 RL+
- 16 ONTIME
- 15 RLIN
- 14 FLIN
- 13 SGND
- 12 FRIN
- 11 RRIN
- 10 RIPPLE
- 9 RR+
- 8 GND
- 7 RR-
- 6 VP1
- 5 FR+
- 4 STDBY
- 3 FR-
- 2 GND
- 1 ACCONT1

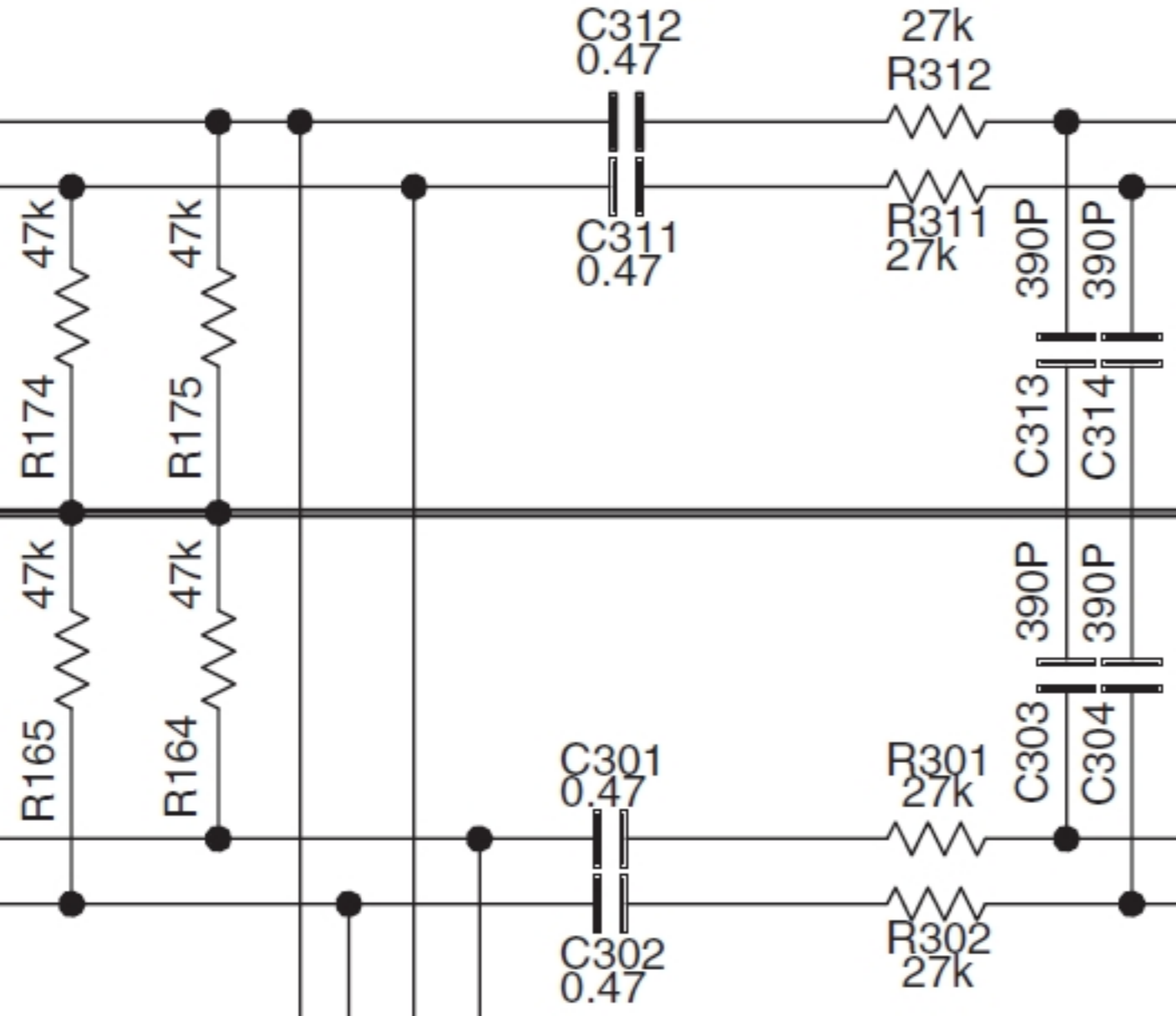
POWER AMP.

IC301
LA47515



LEFT. FRONT
LEFT. REAR

RIGHT. REAR
RIGHT. FRONT



LINE OUT
MUTING

