

# SWITCHMODE™

## NPN Bipolar Power Transistor

### For Switching Power Supply Applications

The MJE/MJF18008 have an applications specific state-of-the-art die designed for use in 220 V line-operated Switchmode Power supplies and electronic light ballasts. These high voltage/high speed transistors offer the following:

- Improved Efficiency Due to Low Base Drive Requirements:
  - High and Flat DC Current Gain  $h_{FE}$
  - Fast Switching
  - No Coil Required in Base Circuit for Turn-Off (No Current Tail)
- Tight Parametric Distributions are Consistent Lot-to-Lot
- Two Package Choices: Standard TO-220 or Isolated TO-220
- MJF18008, Case 221D, is UL Recognized at 3500 V<sub>RMS</sub>: File #E69369

#### MAXIMUM RATINGS

Rating	Symbol	MJE18008	MJF18008	Unit
Collector-Emitter Sustaining Voltage	$V_{CEO}$	450		Vdc
Collector-Emitter Breakdown Voltage	$V_{CES}$	1000		Vdc
Emitter-Base Voltage	$V_{EBO}$	9.0		Vdc
Collector Current — Continuous	$I_C$	8.0		Adc
— Peak(1)	$I_{CM}$	16		
Base Current — Continuous	$I_B$	4.0		Adc
— Peak(1)	$I_{BM}$	8.0		
RMS Isolation Voltage(2) Test No. 1 Per Fig. 22a (for 1 sec,] R.H. < 30%, Test No. 1 Per Fig. 22b $T_C = 25^\circ\text{C}$ Test No. 1 Per Fig. 22c	$V_{ISOL}$	—	4500	Volts
		—	3500	
		—	1500	
Total Device Dissipation Derate above 25°C	$P_D$	125 1.0	45 0.36	Watts W/°C
Operating and Storage Temperature	$T_J, T_{stg}$	-65 to 150		°C

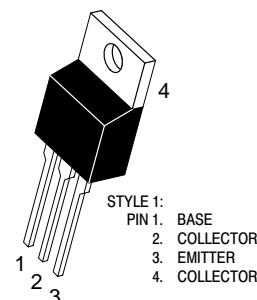
#### THERMAL CHARACTERISTICS

Rating	Symbol	MJE18008	MJF18008	Unit
Thermal Resistance — Junction to Case	$R_{\theta JC}$	1.0	2.78	°C/W
— Junction to Ambient	$R_{\theta JA}$	62.5	62.5	
Maximum Lead Temperature for Soldering Purposes: 1/8" from Case for 5 Seconds	$T_L$	260		°C

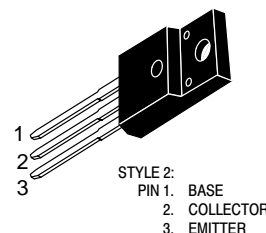
**MJE18008\***  
**MJF18008\***

\*ON Semiconductor Preferred Device

**POWER TRANSISTOR**  
**8.0 AMPERES**  
**1000 VOLTS**  
**45 and 125 WATTS**



**CASE 221A-09**  
**TO-220AB**  
**MJE18008**



**CASE 221D-02**  
**ISOLATED TO-220 TYPE**  
**UL RECOGNIZED**  
**MJF18008**

Preferred devices are ON Semiconductor recommended choices for future use and best overall value.

# MJE18008 MJF18008

## ELECTRICAL CHARACTERISTICS ( $T_C = 25^\circ\text{C}$ unless otherwise specified)

Characteristic	Symbol	Min	Typ	Max	Unit
----------------	--------	-----	-----	-----	------

### OFF CHARACTERISTICS

Collector–Emitter Sustaining Voltage ( $I_C = 100\text{ mA}$ , $L = 25\text{ mH}$ )	$V_{CEO(sus)}$	450	—	—	Vdc
Collector Cutoff Current ( $V_{CE} = \text{Rated } V_{CEO}$ , $I_B = 0$ )	$I_{CEO}$	—	—	100	$\mu\text{Adc}$
Collector Cutoff Current ( $V_{CE} = \text{Rated } V_{CES}$ , $V_{EB} = 0$ )	$I_{CES}$	—	—	100	$\mu\text{Adc}$
$(T_C = 125^\circ\text{C})$		—	—	500	
$(V_{CE} = 800\text{ V}$ , $V_{EB} = 0$ )		—	—	100	
$(T_C = 125^\circ\text{C})$		—	—	—	
Emitter Cutoff Current ( $V_{EB} = 9.0\text{ Vdc}$ , $I_C = 0$ )	$I_{EBO}$	—	—	100	$\mu\text{Adc}$

### ON CHARACTERISTICS

Base–Emitter Saturation Voltage ( $I_C = 2.0\text{ Adc}$ , $I_B = 0.2\text{ Adc}$ ) ( $I_C = 4.5\text{ Adc}$ , $I_B = 0.9\text{ Adc}$ )	$V_{BE(sat)}$	—	0.82	1.1	Vdc
		—	0.92	1.25	
Collector–Emitter Saturation Voltage ( $I_C = 2.0\text{ Adc}$ , $I_B = 0.2\text{ Adc}$ )	$V_{CE(sat)}$	—	0.3	0.6	Vdc
$(T_C = 125^\circ\text{C})$		—	0.3	0.65	
( $I_C = 4.5\text{ Adc}$ , $I_B = 0.9\text{ Adc}$ )		—	0.35	0.7	
$(T_C = 125^\circ\text{C})$		—	0.4	0.8	
DC Current Gain ( $I_C = 1.0\text{ Adc}$ , $V_{CE} = 5.0\text{ Vdc}$ )	$h_{FE}$	14	—	34	—
$(T_C = 125^\circ\text{C})$		—	28	—	
( $I_C = 4.5\text{ Adc}$ , $V_{CE} = 1.0\text{ Vdc}$ )		6.0	9.0	—	
$(T_C = 125^\circ\text{C})$		5.0	8.0	—	
( $I_C = 2.0\text{ Adc}$ , $V_{CE} = 1.0\text{ Vdc}$ )		11	15	—	
$(T_C = 125^\circ\text{C})$		11	16	—	
( $I_C = 10\text{ mAdc}$ , $V_{CE} = 5.0\text{ Vdc}$ )		10	20	—	

- (1) Pulse Test: Pulse Width = 5.0 ms, Duty Cycle  $\leq$  10%.  
 (2) Proper strike and creepage distance must be provided.

(continued)

# MJE18008 MJF18008

Characteristic	Symbol	Min	Typ	Max	Unit
----------------	--------	-----	-----	-----	------

## DYNAMIC CHARACTERISTICS

Current Gain Bandwidth ( $I_C = 0.5 \text{ Adc}$ , $V_{CE} = 10 \text{ Vdc}$ , $f = 1.0 \text{ MHz}$ )			$f_T$	—	13	—	MHz	
Output Capacitance ( $V_{CB} = 10 \text{ Vdc}$ , $I_E = 0$ , $f = 1.0 \text{ MHz}$ )			$C_{ob}$	—	100	150	pF	
Input Capacitance ( $V_{EB} = 8.0 \text{ V}$ )			$C_{ib}$	—	1750	2500	pF	
Dynamic Saturation Voltage:  Determined 1.0 $\mu\text{s}$ and 3.0 $\mu\text{s}$ respectively after rising $I_{B1}$ reaches 90% of final $I_{B1}$ (see Figure 18)	$(I_C = 2.0 \text{ Adc}$ $I_{B1} = 200 \text{ mAdc}$ $V_{CC} = 300 \text{ V})$	1.0 $\mu\text{s}$	$(T_C = 125^\circ\text{C})$	$V_{CE(dsat)}$	—	5.5	—	Vdc
		3.0 $\mu\text{s}$	$(T_C = 125^\circ\text{C})$		—	11.5	—	
	$(I_C = 5.0 \text{ Adc}$ $I_{B1} = 1.0 \text{ Adc}$ $V_{CC} = 300 \text{ V})$	1.0 $\mu\text{s}$	$(T_C = 125^\circ\text{C})$		—	3.5	—	
		3.0 $\mu\text{s}$	$(T_C = 125^\circ\text{C})$		—	6.5	—	
	1.0 $\mu\text{s}$	$(T_C = 125^\circ\text{C})$	—		11.5	—		
	3.0 $\mu\text{s}$	$(T_C = 125^\circ\text{C})$	—		14.5	—		

## SWITCHING CHARACTERISTICS: Resistive Load ( $D.C. \leq 10\%$ , Pulse Width = 20 $\mu\text{s}$ )

Turn-On Time	$(I_C = 2.0 \text{ Adc}$ , $I_{B1} = 0.2 \text{ Adc}$ , $I_{B2} = 1.0 \text{ Adc}$ , $V_{CC} = 300 \text{ V})$ $(T_C = 125^\circ\text{C})$	$t_{on}$	—	200	300	ns
Turn-Off Time		$t_{off}$	—	190	—	—
Turn-On Time	$(I_C = 4.5 \text{ Adc}$ , $I_{B1} = 0.9 \text{ Adc}$ , $I_{B2} = 2.25 \text{ Adc}$ , $V_{CC} = 300 \text{ V})$ $(T_C = 125^\circ\text{C})$	$t_{on}$	—	100	180	ns
Turn-Off Time		$t_{off}$	—	250	—	—
				1.6	2.5	$\mu\text{s}$
				2.0	—	—

## SWITCHING CHARACTERISTICS: Inductive Load ( $V_{clamp} = 300 \text{ V}$ , $V_{CC} = 15 \text{ V}$ , $L = 200 \mu\text{H}$ )

Fall Time	$(I_C = 2.0 \text{ Adc}$ , $I_{B1} = 0.2 \text{ Adc}$ , $I_{B2} = 1.0 \text{ Adc})$ $(T_C = 125^\circ\text{C})$	$t_{fi}$	—	100	180	ns
Storage Time		$t_{si}$	—	120	—	—
Crossover Time		$t_c$	—	1.5	2.75	$\mu\text{s}$
				1.9	—	—
				250	350	ns
				230	—	—
Fall Time	$(I_C = 4.5 \text{ Adc}$ , $I_{B1} = 0.9 \text{ Adc}$ , $I_{B2} = 2.25 \text{ Adc})$ $(T_C = 125^\circ\text{C})$	$t_{fi}$	—	85	150	ns
Storage Time		$t_{si}$	—	135	—	—
Crossover Time		$t_c$	—	2.0	3.2	$\mu\text{s}$
				2.6	—	—
				210	300	ns
				250	—	—

TYPICAL STATIC CHARACTERISTICS

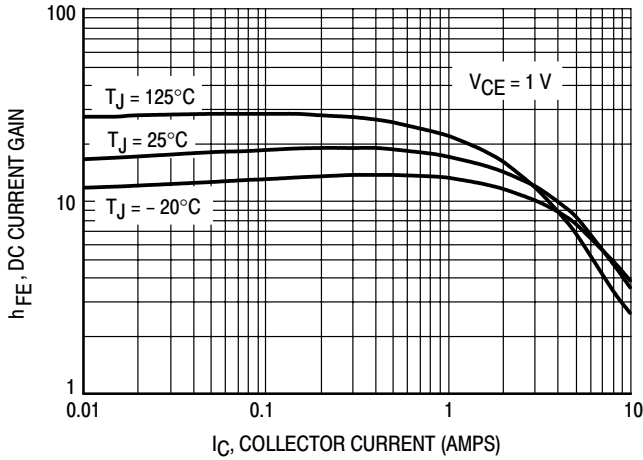


Figure 1. DC Current Gain @ 1 Volt

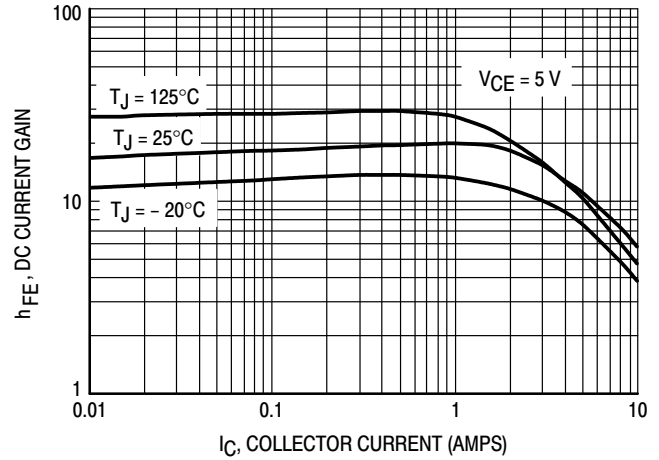


Figure 2. DC Current Gain @ 5 Volts

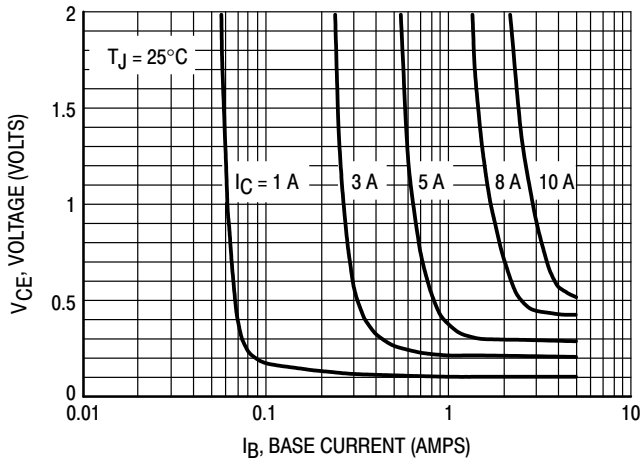


Figure 3. Collector Saturation Region

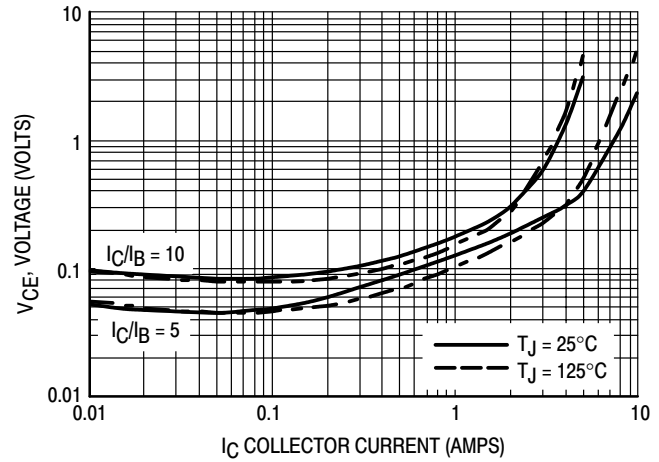


Figure 4. Collector-Emitter Saturation Voltage

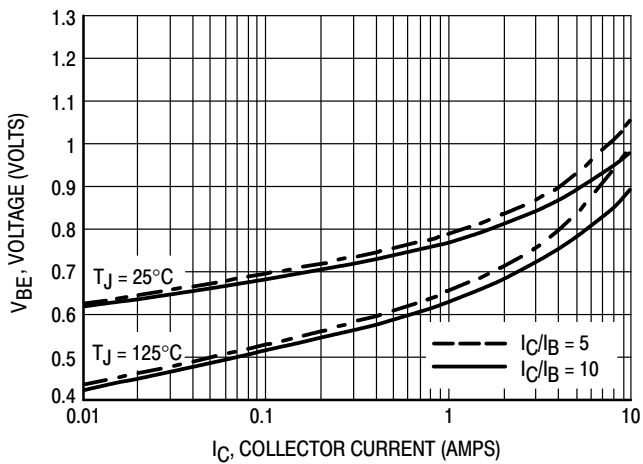


Figure 5. Base-Emitter Saturation Region

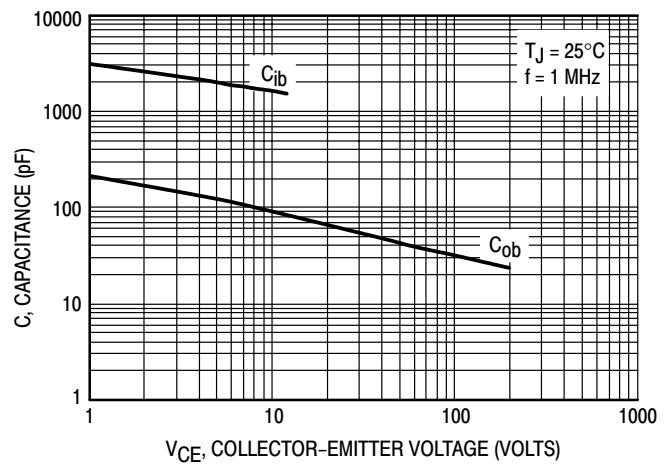


Figure 6. Capacitance

TYPICAL SWITCHING CHARACTERISTICS  
( $I_{B2} = I_C/2$  for all switching)

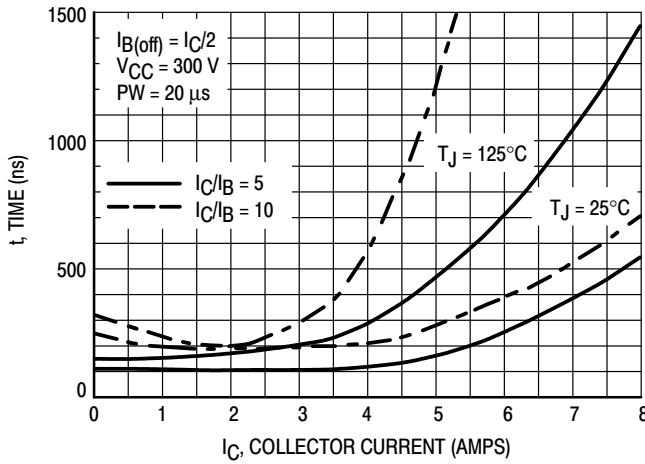


Figure 7. Resistive Switching,  $t_{on}$

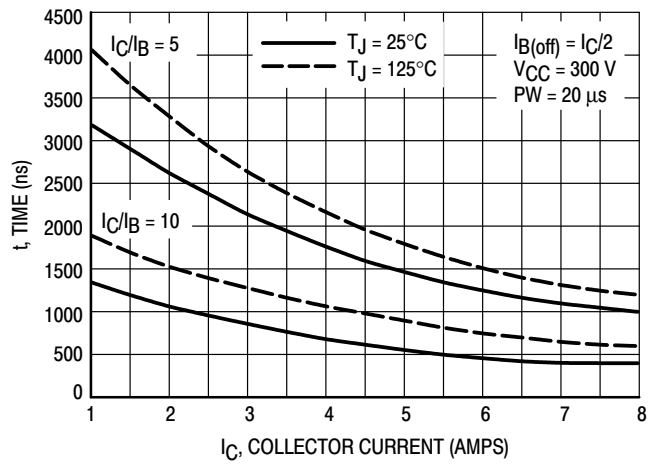


Figure 8. Resistive Switching,  $t_{off}$

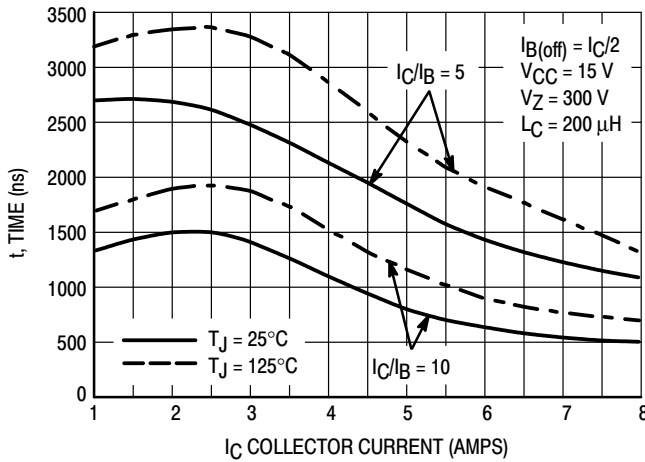


Figure 9. Inductive Storage Time,  $t_{si}$

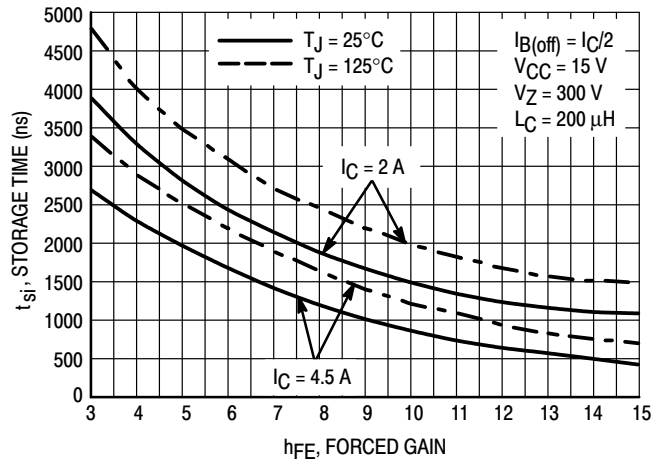


Figure 10. Inductive Storage Time,  $t_{si}(h_{FE})$

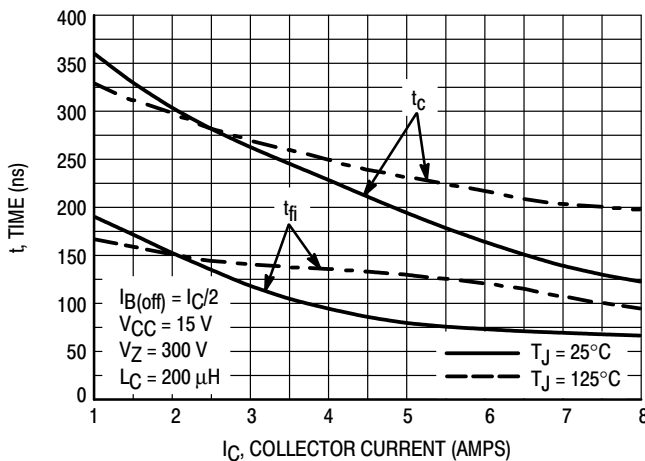


Figure 11. Inductive Switching,  $t_c$  and  $t_{fi}$   
 $I_C/I_B = 5$

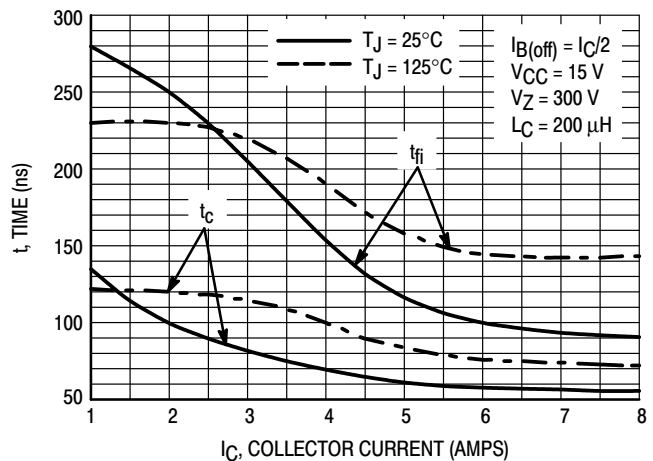


Figure 12. Inductive Switching,  $t_c$  and  $t_{fi}$   
 $I_C/I_B = 10$

TYPICAL SWITCHING CHARACTERISTICS  
( $I_{B2} = I_C/2$  for all switching)

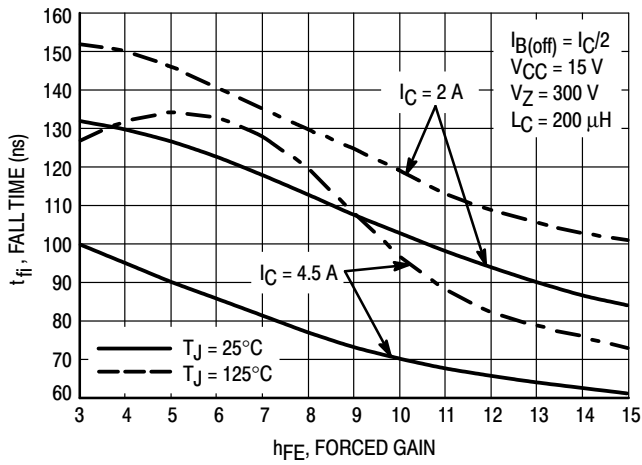


Figure 13. Inductive Fall Time

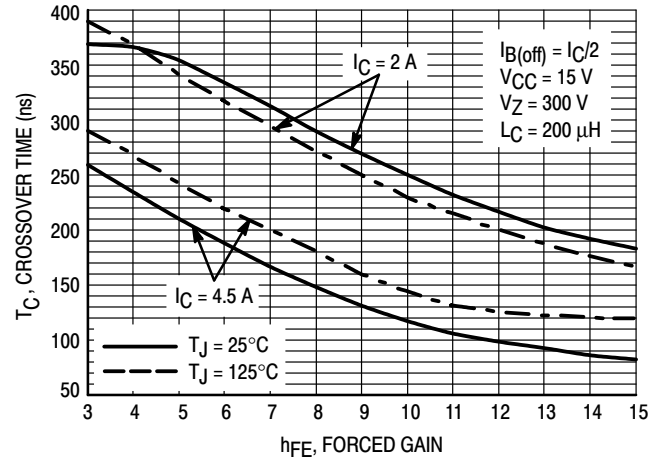


Figure 14. Inductive Crossover Time

GUARANTEED SAFE OPERATING AREA INFORMATION

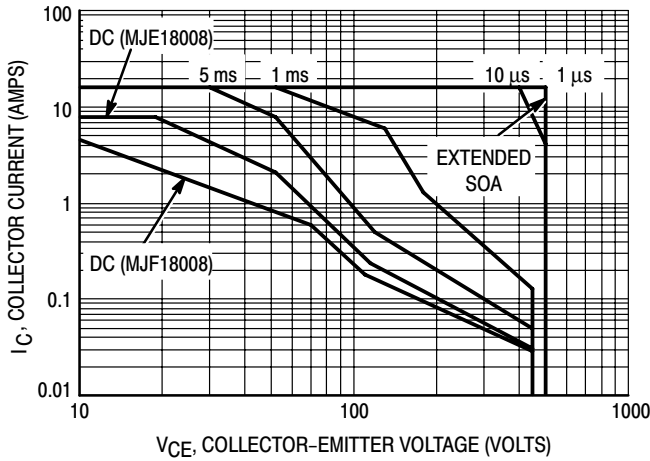


Figure 15. Forward Bias Safe Operating Area

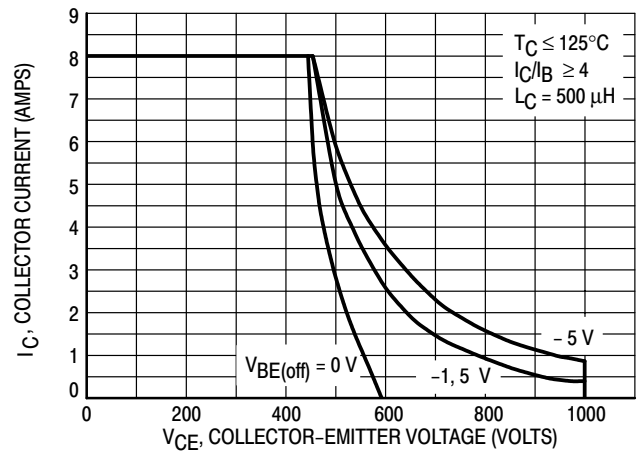


Figure 16. Reverse Bias Switching Safe Operating Area

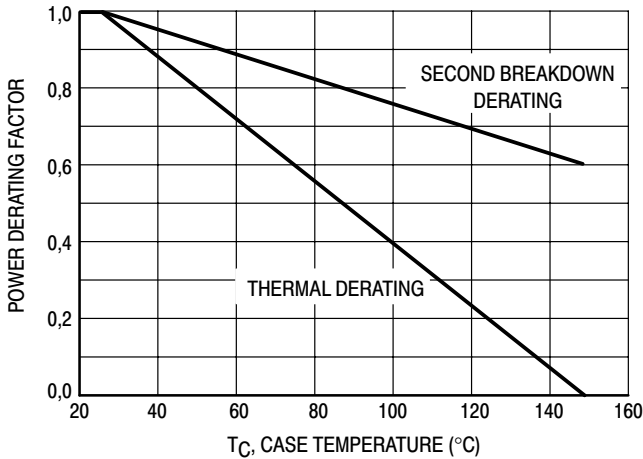


Figure 17. Forward Bias Power Derating

There are two limitations on the power handling ability of a transistor: average junction temperature and second breakdown. Safe operating area curves indicate  $I_C - V_{CE}$  limits of the transistor that must be observed for reliable operation; i.e., the transistor must not be subjected to greater dissipation than the curves indicate. The data of Figure 15 is based on  $T_C = 25^\circ\text{C}$ ;  $T_{J(pk)}$  is variable depending on power level. Second breakdown pulse limits are valid for duty cycles to 10% but must be derated when  $T_C > 25^\circ\text{C}$ . Second breakdown limitations do not derate the same as thermal limitations. Allowable current at the voltages shown in Figure 15 may be found at any case temperature by using the appropriate curve on Figure 17.  $T_{J(pk)}$  may be calculated from the data in Figure 20 and 21. At any case temperatures, thermal limitations will reduce the power that can be handled to values less than the limitations imposed by second breakdown. For inductive loads, high voltage and current must be sustained simultaneously during turn-off with the base-to-emitter junction reverse-biased. The safe level is specified as a reverse-biased safe operating area (Figure 16). This rating is verified under clamped conditions so that the device is never subjected to an avalanche mode.

# MJE18008 MJF18008

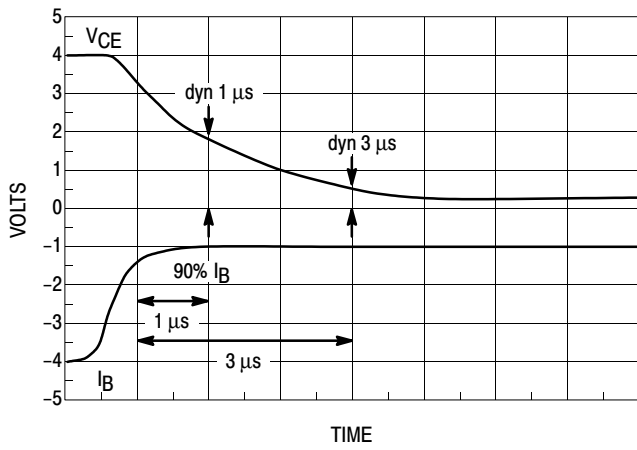


Figure 18. Dynamic Saturation Voltage Measurements

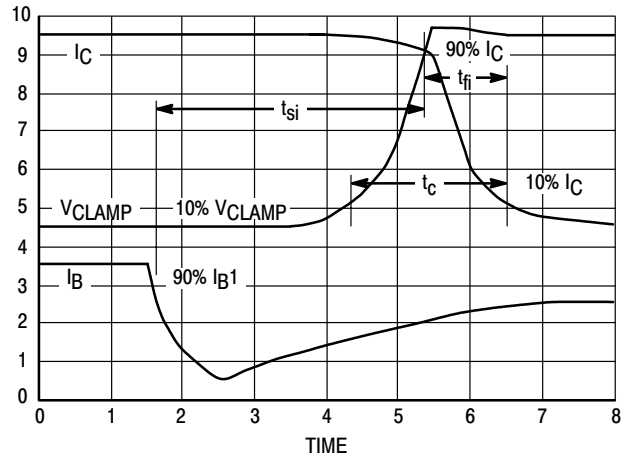
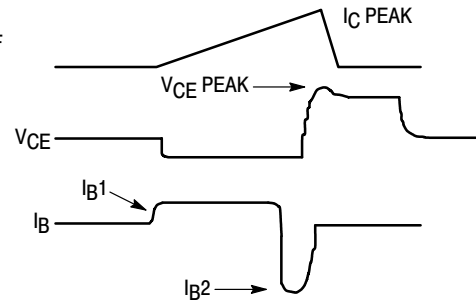
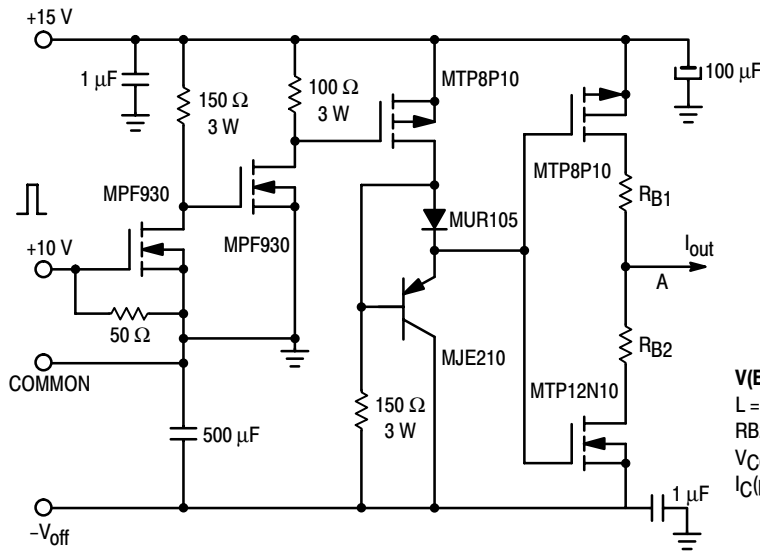


Figure 19. Inductive Switching Measurements



V(BR)CEO(sus)	INDUCTIVE SWITCHING	RBSOA
L = 10 mH	L = 200 μH	L = 500 μH
RB2 = ∞	RB2 = 0	RB2 = 0
VCC = 20 VOLTS	VCC = 15 VOLTS	VCC = 15 VOLTS
IC(pk) = 100 mA	RB1 SELECTED FOR DESIRED IB1	RB1 SELECTED FOR DESIRED IB1

Table 1. Inductive Load Switching Drive Circuit



# MJE18008 MJF18008

## TYPICAL THERMAL RESPONSE

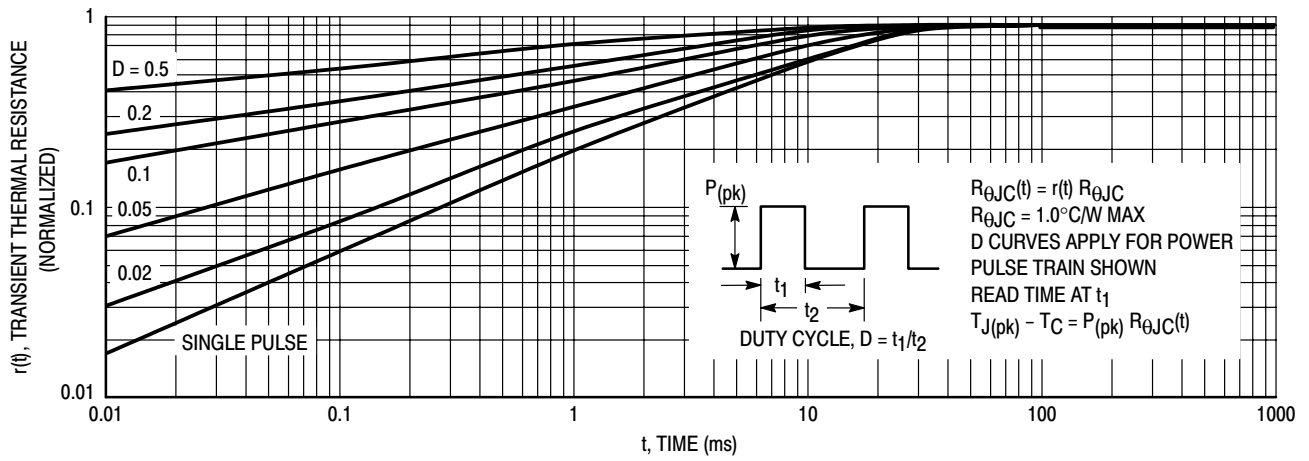


Figure 20. Typical Thermal Response ( $Z_{\theta JC}(t)$ ) for MJE18008

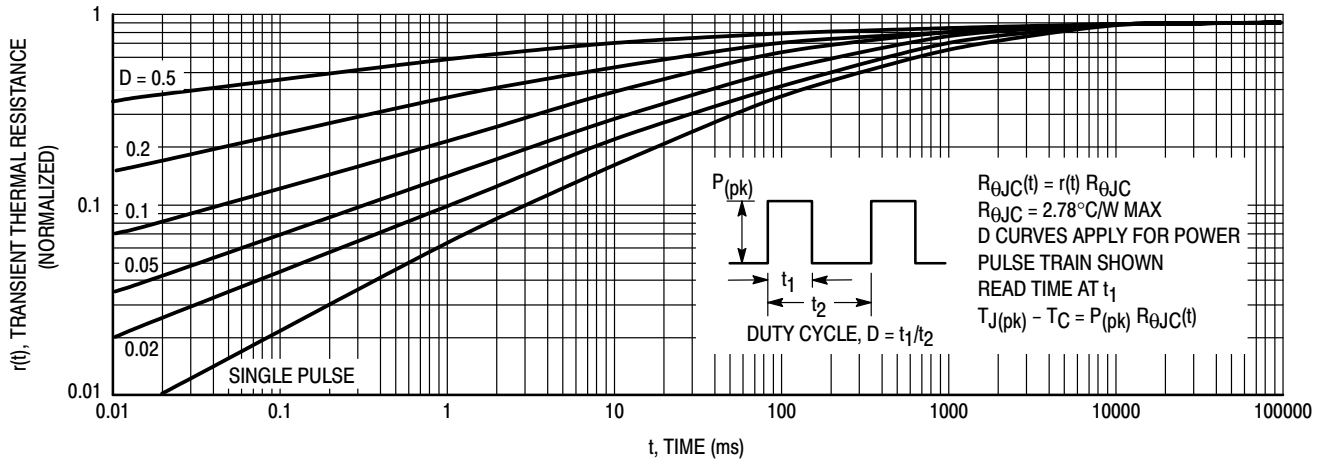


Figure 21. Typical Thermal Response ( $Z_{\theta JC}(t)$ ) for MJF18008

TEST CONDITIONS FOR ISOLATION TESTS\*

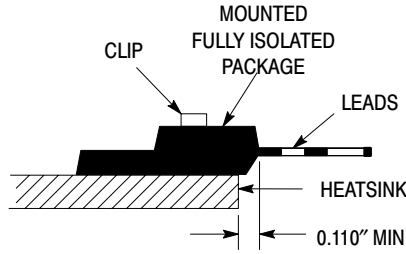


Figure 22a. Screw or Clip Mounting Position for Isolation Test Number 1

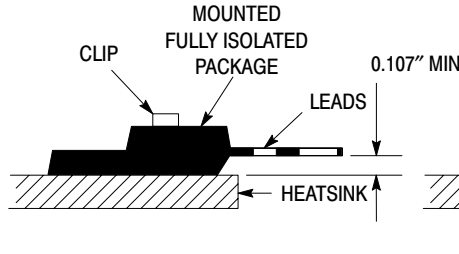


Figure 22b. Clip Mounting Position for Isolation Test Number 2

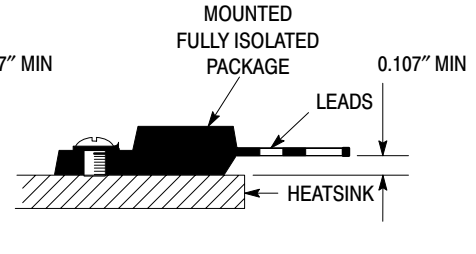


Figure 22c. Screw Mounting Position for Isolation Test Number 3

\*Measurement made between leads and heatsink with all leads shorted together

MOUNTING INFORMATION\*\*

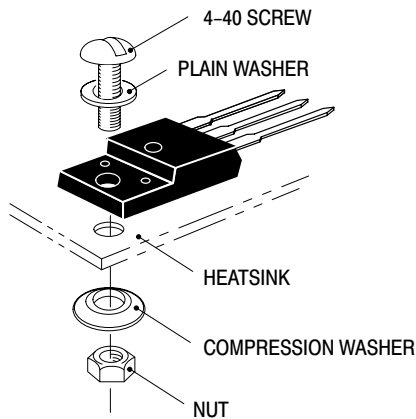


Figure 23a. Screw-Mounted

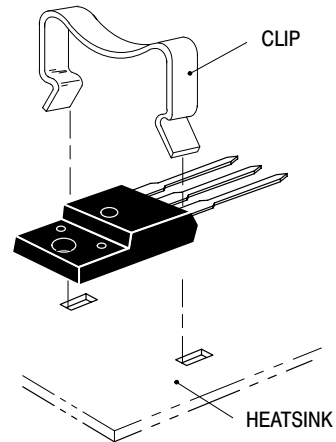


Figure 23b. Clip-Mounted

Figure 23. Typical Mounting Techniques for Isolated Package

Laboratory tests on a limited number of samples indicate, when using the screw and compression washer mounting technique, a screw torque of 6 to 8 in · lbs is sufficient to provide maximum power dissipation capability. The compression washer helps to maintain a constant pressure on the package over time and during large temperature excursions.

Destructive laboratory tests show that using a hex head 4-40 screw, without washers, and applying a torque in excess of 20 in · lbs will cause the plastic to crack around the mounting hole, resulting in a loss of isolation capability.

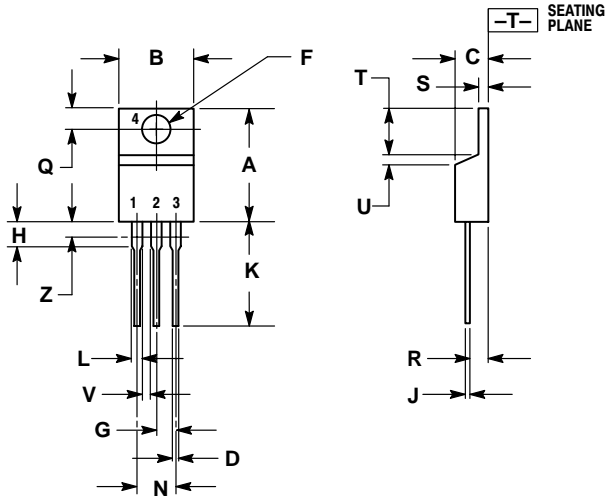
Additional tests on slotted 4-40 screws indicate that the screw slot fails between 15 to 20 in · lbs without adversely affecting the package. However, in order to positively ensure the package integrity of the fully isolated device, ON Semiconductor does not recommend exceeding 10 in · lbs of mounting torque under any mounting conditions.

\*\* For more information about mounting power semiconductors see Application Note AN1040.

# MJE18008 MJF18008

## PACKAGE DIMENSIONS

TO-220AB  
CASE 221A-09  
ISSUE AA

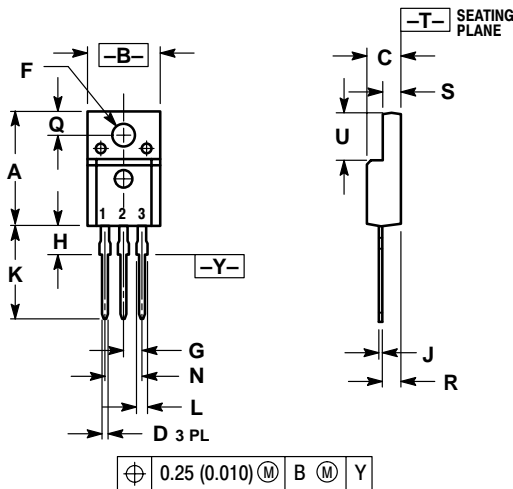


- NOTES:
1. DIMENSIONING AND TOLERANCING PER ANSI Y14.5M, 1982.
  2. CONTROLLING DIMENSION: INCH.
  3. DIMENSION Z DEFINES A ZONE WHERE ALL BODY AND LEAD IRREGULARITIES ARE ALLOWED.

DIM	INCHES		MILLIMETERS	
	MIN	MAX	MIN	MAX
A	0.570	0.620	14.48	15.75
B	0.380	0.405	9.66	10.28
C	0.160	0.190	4.07	4.82
D	0.025	0.035	0.64	0.88
F	0.142	0.147	3.61	3.73
G	0.095	0.105	2.42	2.66
H	0.110	0.155	2.80	3.93
J	0.018	0.025	0.46	0.64
K	0.500	0.562	12.70	14.27
L	0.045	0.060	1.15	1.52
N	0.190	0.210	4.83	5.33
Q	0.100	0.120	2.54	3.04
R	0.080	0.110	2.04	2.79
S	0.045	0.055	1.15	1.39
T	0.235	0.255	5.97	6.47
U	0.000	0.050	0.00	1.27
V	0.045	---	1.15	---
Z	---	0.080	---	2.04

- STYLE 1:  
PIN 1. BASE  
2. COLLECTOR  
3. EMITTER  
4. COLLECTOR

CASE 221D-02  
(ISOLATED TO-220 TYPE)  
UL RECOGNIZED: FILE #E69369  
ISSUE D




- NOTES:
1. DIMENSIONING AND TOLERANCING PER ANSI Y14.5M, 1982.
  2. CONTROLLING DIMENSION: INCH.

DIM	INCHES		MILLIMETERS	
	MIN	MAX	MIN	MAX
A	0.621	0.629	15.78	15.97
B	0.394	0.402	10.01	10.21
C	0.181	0.189	4.60	4.80
D	0.026	0.034	0.67	0.86
F	0.121	0.129	3.08	3.27
G	0.100 BSC		2.54 BSC	
H	0.123	0.129	3.13	3.27
J	0.018	0.025	0.46	0.64
K	0.500	0.562	12.70	14.27
L	0.045	0.060	1.14	1.52
N	0.200 BSC		5.08 BSC	
Q	0.126	0.134	3.21	3.40
R	0.107	0.111	2.72	2.81
S	0.096	0.104	2.44	2.64
U	0.259	0.267	6.58	6.78

- STYLE 2:  
PIN 1. BASE  
2. COLLECTOR  
3. EMITTER

SWITCHMODE is a trademark of Semiconductor Components Industries, LLC.

**ON Semiconductor** and  are registered trademarks of Semiconductor Components Industries, LLC (SCILLC). SCILLC reserves the right to make changes without further notice to any products herein. SCILLC makes no warranty, representation or guarantee regarding the suitability of its products for any particular purpose, nor does SCILLC assume any liability arising out of the application or use of any product or circuit, and specifically disclaims any and all liability, including without limitation special, consequential or incidental damages. "Typical" parameters which may be provided in SCILLC data sheets and/or specifications can and do vary in different applications and actual performance may vary over time. All operating parameters, including "Typicals" must be validated for each customer application by customer's technical experts. SCILLC does not convey any license under its patent rights nor the rights of others. SCILLC products are not designed, intended, or authorized for use as components in systems intended for surgical implant into the body, or other applications intended to support or sustain life, or for any other application in which the failure of the SCILLC product could create a situation where personal injury or death may occur. Should Buyer purchase or use SCILLC products for any such unintended or unauthorized application, Buyer shall indemnify and hold SCILLC and its officers, employees, subsidiaries, affiliates, and distributors harmless against all claims, costs, damages, and expenses, and reasonable attorney fees arising out of, directly or indirectly, any claim of personal injury or death associated with such unintended or unauthorized use, even if such claim alleges that SCILLC was negligent regarding the design or manufacture of the part. SCILLC is an Equal Opportunity/Affirmative Action Employer.

## PUBLICATION ORDERING INFORMATION

### Literature Fulfillment:

Literature Distribution Center for ON Semiconductor  
P.O. Box 5163, Denver, Colorado 80217 USA  
**Phone:** 303-675-2175 or 800-344-3860 Toll Free USA/Canada  
**Fax:** 303-675-2176 or 800-344-3867 Toll Free USA/Canada  
**Email:** ONlit@hibbertco.com

**N. American Technical Support:** 800-282-9855 Toll Free USA/Canada

**JAPAN:** ON Semiconductor, Japan Customer Focus Center  
4-32-1 Nishi-Gotanda, Shinagawa-ku, Tokyo, Japan 141-0031  
**Phone:** 81-3-5740-2700  
**Email:** r14525@onsemi.com

**ON Semiconductor Website:** <http://onsemi.com>

For additional information, please contact your local Sales Representative.