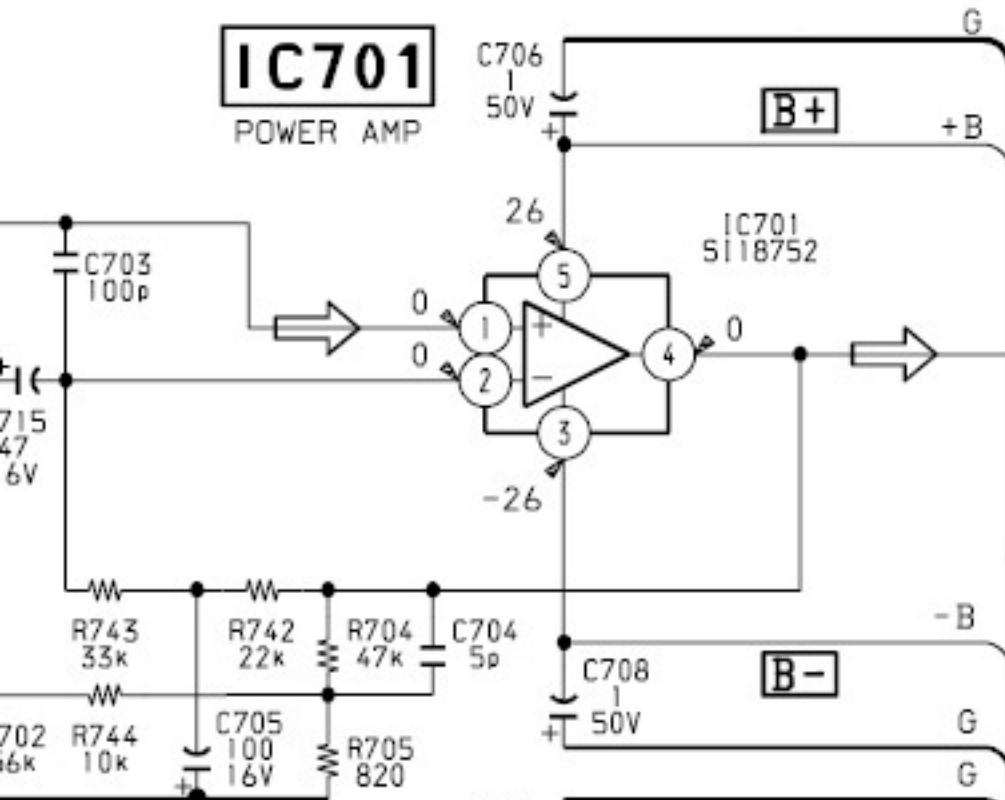


IC701

POWER AMP



B+

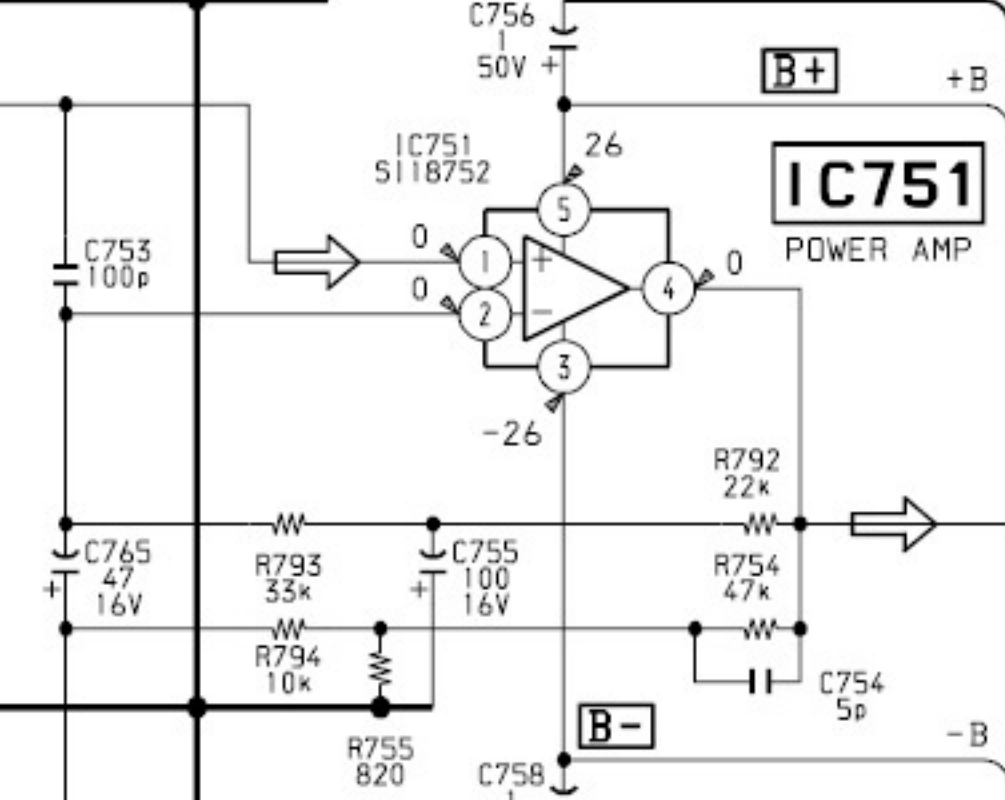
IC701
SI18752

B-

B+

IC751

POWER AMP



B-

