

STK 4191 II

Integrato finale 2×50 W

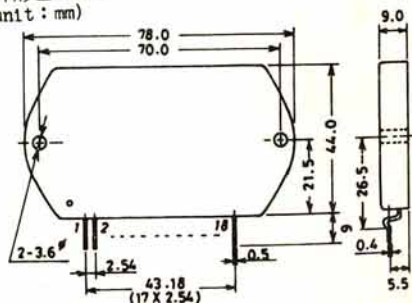
		unit
$V_{CC \text{ max}}$	± 52.5	V
θ_{j-c}	1.8	$^{\circ}\text{C}/\text{W}$
T_j	150	$^{\circ}\text{C}$
T_c	125	$^{\circ}\text{C}$
T_{stg}	$-30 \sim +125$	$^{\circ}\text{C}$
t_s	$V_{CC} = \pm 35\text{V}, R_L = 8\Omega,$ $f = 50\text{Hz}, P_o = 50\text{W}$	2 sec

		unit
V_{CC}	± 35	V
R_L	8	Ω

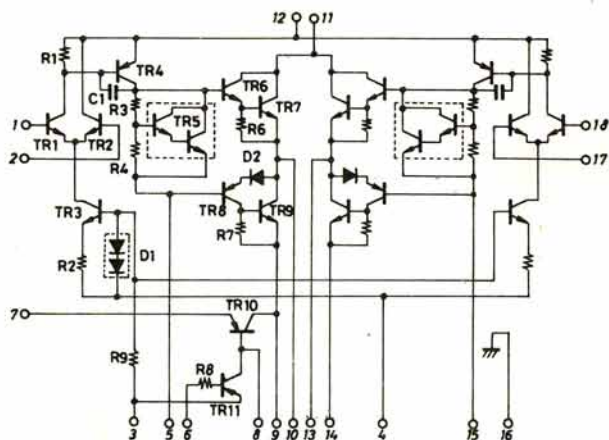
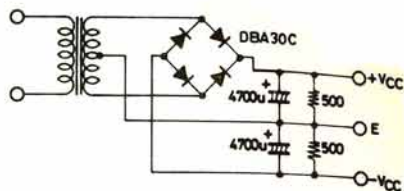
$T_a = 25^{\circ}\text{C}, V_{CC} = \pm 35\text{V}, R_L = 8\Omega, R_g = 600\Omega, V_G = 40\text{dB}$

		min	typ	max	unit
I_{CCO}	$V_{CC} = \pm 42\text{V}$	20	40	100	mA
$P_o(1)$	THD=0.4%, $f = 20\text{Hz} \sim 20\text{kHz}$	50			W
$P_o(2)$	$V_{CC} = \pm 31\text{V}$, THD=1.0%, $R_L = 4\Omega, f = 1\text{kHz}$	55			W
THD	$P_o = 1.0\text{W}, f = 1\text{kHz}$			0.3	%
f_L, f_H	$P_o = 1.0\text{W}, -3\text{dB}$		20~50k		Hz
r_i	$P_o = 1.0\text{W}, f = 1\text{kHz}$		55		k Ω
V_{NO}	$V_{CC} = \pm 42\text{V}, R_g = 10\text{k}\Omega$			1.2	mV rms
V_N	$V_{CC} = \pm 42\text{V}$	-70	0	70	mV
V_M		-2	-5	-10	V

外形图 4042
(unit: mm)



STK 4191 II



50W min 2チャンネル AF パワーアンプ

