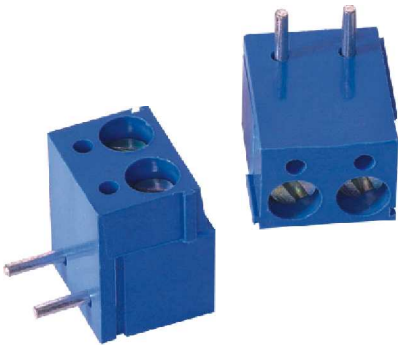


# Ninigi

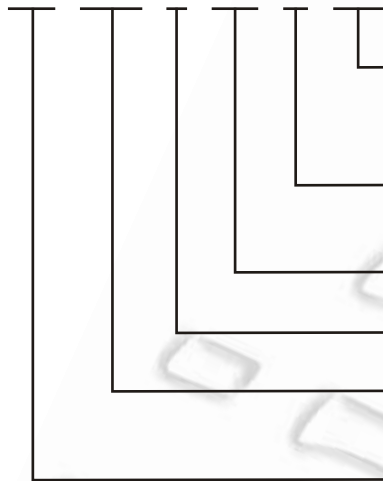
## D A T A S H E E T



### Specification:

Contact: Brass (CuZn), Cu/Ni, tin plated  
Terminal screw: Steel galvanized and chromated  
Insulator: Poly Butylene, Terephthlene,  
PBT (30% Glass Filled) (UL94V-0)  
Operating temperature: -30°C to 120°C  
Current rating: 16 A  
Resistance to tracking: 5 MW  
Dielectric strength: 2500 V  
Insulation withstanding voltage: 1500 VAC min.  
Rated voltage: 250 V

### TB-5.0-K-2P-N-BK



#### Colour:

none - blue  
GY - gray  
BK - black

#### Wire Guard:

none - with wire guard  
N - without wire guard

#### No. of Poles

N - max. 24

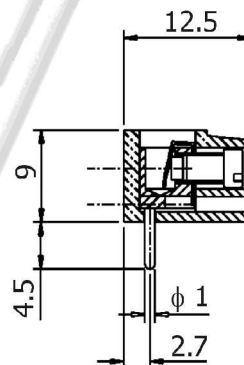
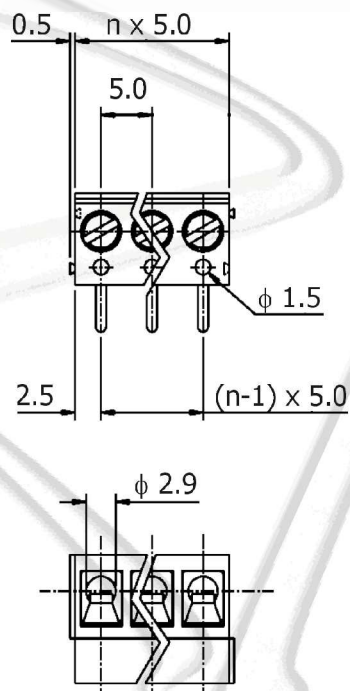
#### Top Wire Inlet Type:

K - Screw in Front

#### Pitch:

5.0 - 5.0 mm  
10 - 10.0 mm

#### Terminal Block



Recommended PCB holes diameter: f 1.2 mm to f 1.4 mm