



TDA7379

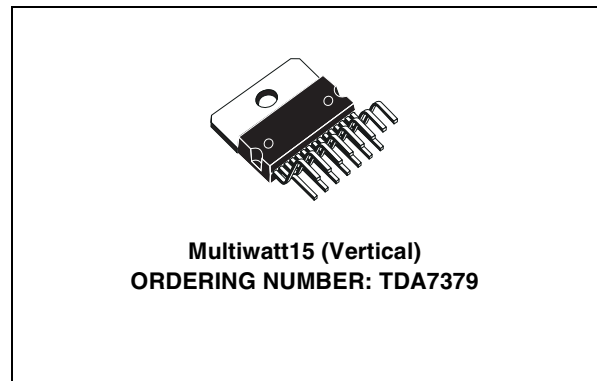
4 X 13 - 2 X 38W AUDIO POWER AMPLIFIER 2 X 13 + 1 X 38W AUDIO POWER AMPLIFIER

PRODUCT PREVIEW

- HIGH OUTPUT POWER CAPABILITY
 - 2 x 38W/4Ω @ 18V, 1KHz, 10%
 - 4 x 11W/4Ω @ 18V, 1KHz, 10%
 - 2 x 20W/8Ω @ 18V; 1KHz, 10%
 - 4 x 13W/2Ω @ 15V, 1KHz, 10%
 - 2 x 34W/8Ω @ 22V, 1kHz, 10%
- MINIMUM EXTERNAL COMPONENTS COUNT:
 - NO BOOTSTRAP CAPACITORS
 - NO BOUCHEROT CELLS
 - INTERNALLY FIXED GAIN (26dB BTL)
- ST-BY FUNCTION (CMOS COMPATIBLE)
- NO AUDIBLE POP DURING ST-BY OPERATIONS
- DIAGNOSTIC FACILITIES
 - CLIP DETECTOR
 - OUT TO GND SHORT
 - OUT TO V_S SHORT
 - SOFT SHORT AT TURN-ON
 - THERMAL SHUTDOWN PROXIMITY

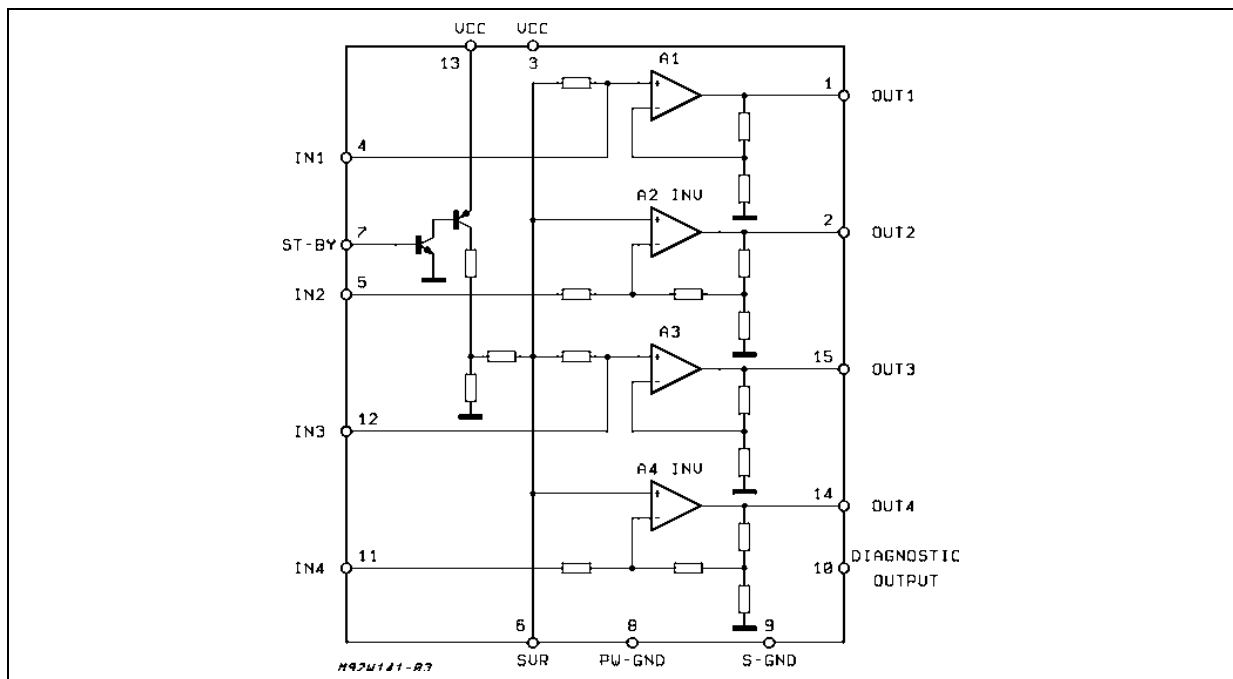
Protections:

- OUTPUT AC/DC SHORT CIRCUIT



- TO GND
- TO V_S
- ACROSS THE LOAD
- SOFT SHORT AT TURN-ON
- OVERRATING CHIP TEMPERATURE WITH SOFT THERMAL LIMITER
- FORTUITOUS OPEN GND
- REVERSED BATTERY
- ESD

BLOCK DIAGRAM



TDA7379

DESCRIPTION

The TDA7379 is a new technology class AB audio processor amplifier able to work either in DUAL BRIDGE or QUAD SINGLE ENDED configuration.

The exclusive fully complementary structure of the output stage and the internally fixed gain guarantee the highest power performances with extremely reduced component count. The on board clip detector simplifies gain compression operation. The fault diagnostic makes it possible to detect mistakes during the set assembly and wiring in the equipment.

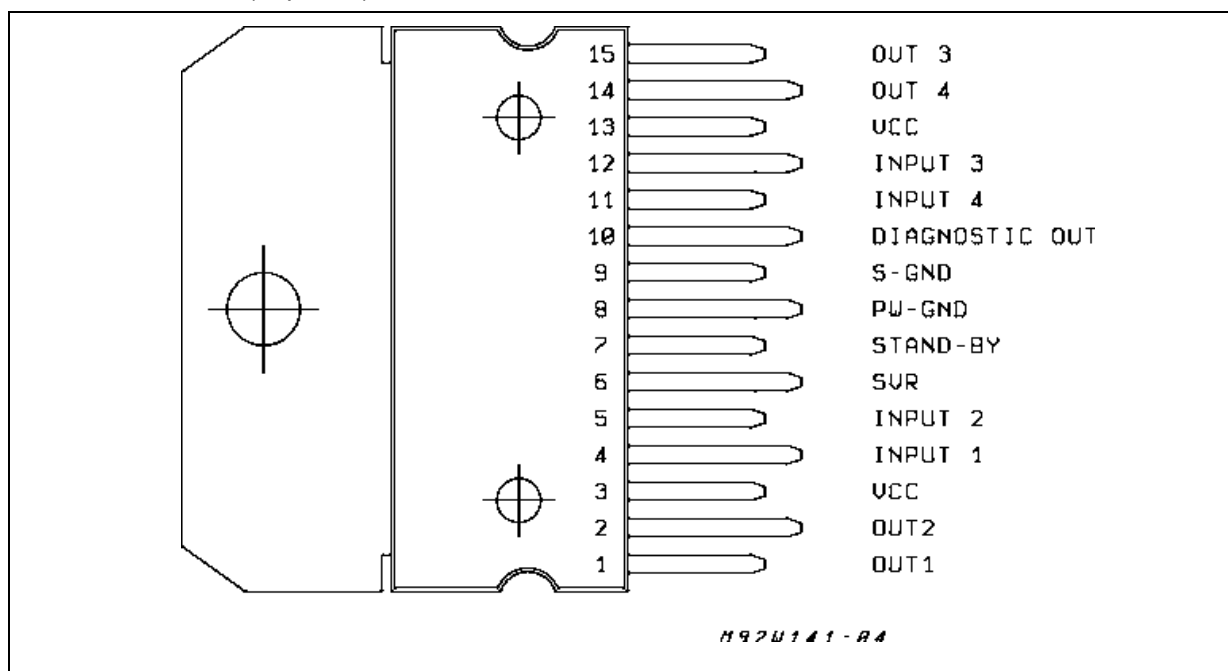
ABSOLUTE MAXIMUM RATINGS

Symbol	Parameter	Value	Unit
V _s	Supply Voltage Idle mode (no signal)	24	V
	Supply Voltage operating	22	V
	Supply Voltage AC-DC-short safe	20	V
I _o	Output Peak Current (not repetitive t = 100µs)	5	A
I _o	Output Peak Current (repetitive f > 10Hz)	4	A
P _{tot}	Power Dissipation T _{case} = 85°C	36	W
T _{stg} , T _j	Storage and Junction Temperature	-40 to 150	°C

THERMAL DATA

Symbol	Parameter	Value	Unit
R _{th j-case}	Thermal Resistance Junction to case	Max 1.8	°C/W

PIN CONNECTION (Top view)



ELECTRICAL CHARACTERISTICS (Refer to the test circuit, $V_S = 15V$; $R_L = 4\Omega$; $f = 1KHz$; $T_{amb} = 25^\circ C$, unless otherwise specified).

Symbol	Parameter	Test Condition	Min.	Typ.	Max.	Unit
V_S	Supply Voltage Range		8		20	V
I_d	Total Quiescent Drain Current	$R_L = \infty$			150	mA
V_{OS}	Output Offset Voltage				150	mV
P_O	Output Power	THD = 10%; $R_L = 4\Omega$ Bridge	25	28		W
		Single Ended	6.5	7.5		W
		Single Ended, $R_L = 2\Omega$		13		W
P_O	Output Power	THD = 10%; $V_S = 18V$ Single Ended, $R_L = 4\Omega$		11		W
		BTL, $R_L = 4\Omega$		38		W
		THD=10%; $V_S = 22V$ Bridge, $R_L = 8\Omega$ Single Ended, $R_L = 4\Omega$		20		W
THD	Distortion	$R_L = 4\Omega$ Single Ended, $P_O = 0.1$ to 4W		0.02		%
		Bridge, $P_O = 0.1$ to 10W		0.03	0.3	%
CT	Cross Talk	f = 1KHz Single Ended		70		dB
		f = 10KHz Single Ended		60		dB
R_{IN}	Input Impedance	f = 1KHz Bridge	55			dB
		f = 10KHz Bridge		60		dB
R_{IN}	Input Impedance	Single Ended	20	30		K Ω
		Bridge	10	15		K Ω
G_V	Voltage Gain	Single Ended	19	20	21	dB
		Bridge	25	26	27	dB
G_V	Voltage Gain Match			0.5		dB
E_{IN}	Input Noise Voltage	$R_g = 0$; "A" weighted, S.E. Non Inverting Channels		2		μV
		Inverting Channels		5		μV
		Bridge $R_g = 0$; 22Hz to 22KHz		3.5		μV
SVR	Supply Voltage Rejection	$R_g = 0$; $f = 300Hz$	50			dB
ASB	Stand-by Attenuation	$P_O = 1W$	80	90		dB
I_{SB}	ST-BY Current Consumption	$V_{ST-BY} = 0$ to 1.5V			100	μA
V_{SB}	ST-BY In Threshold Voltage				1.5	V
V_{SB}	ST-BY Out Threshold Voltage		3.5			V
I_{pin7}	ST-BY Pin Current	Play Mode $V_{pin7} = 5V$			50	μA
		Max Driving Current Under Fault (*)			5	mA
$I_{cd\ off}$	Clipping Detector Output Average Current	d = 1% (**)		90		μA
$I_{cd\ on}$	Clipping Detector Output Average Current	d = 5% (**)		160		μA
$V_{sat\ pin10}$	Voltage Saturation on pin 10	Sink Current at Pin 10 = 1mA			0.7	V

(*) See built-in S/C protection description

(**) Pin 10 Pulled-up to 5V with 10K Ω ; $R_L = 4\Omega$

STANDARD TEST AND APPLICATION CIRCUIT

Figure 1. Quad Stereo

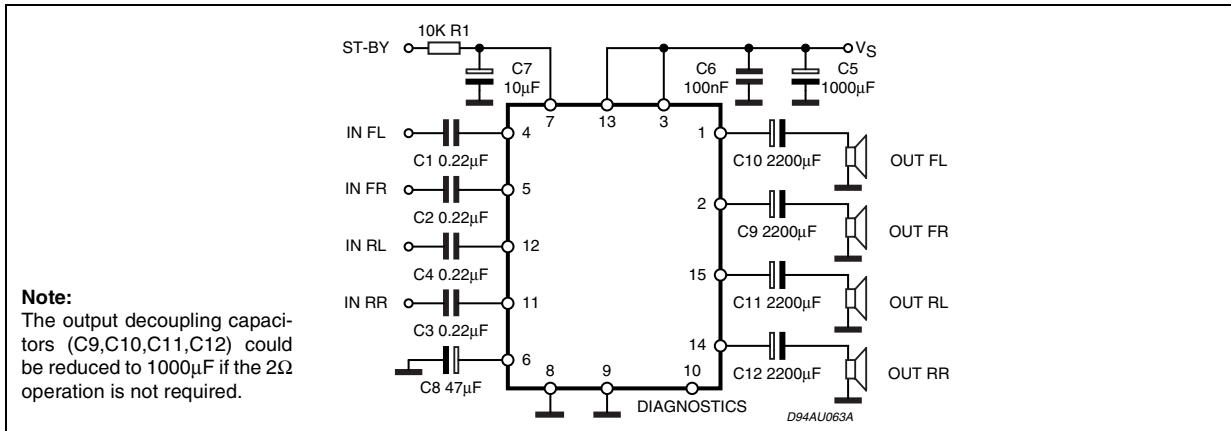


Figure 2. Double Bridge

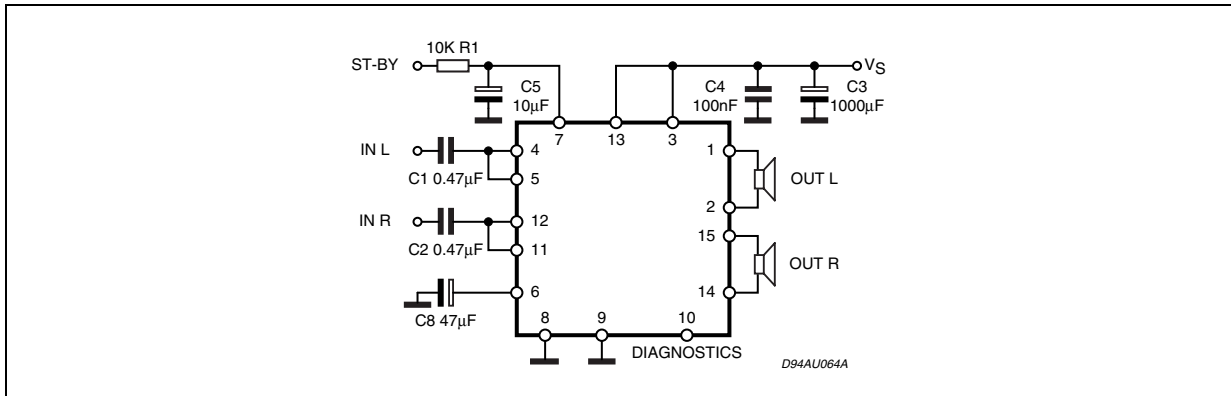


Figure 3. Stereo/Bridge

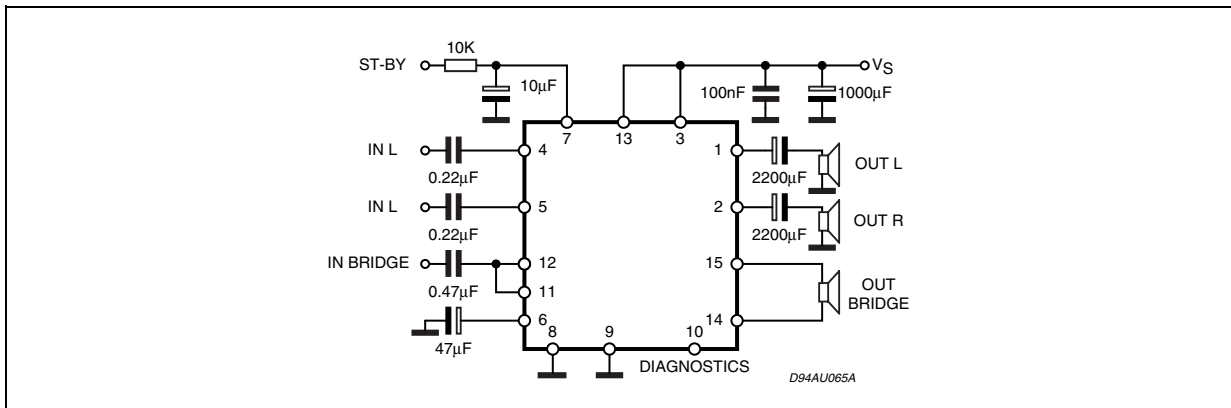


Figure 4. P.C. Board and Component Layout of the fig.1.

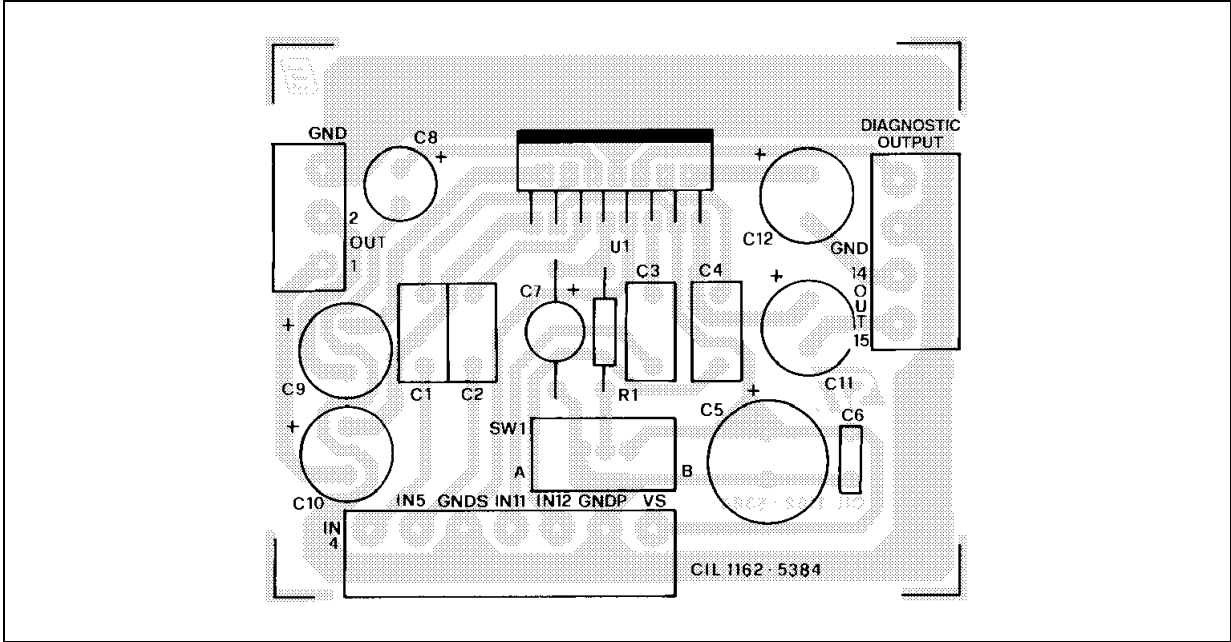
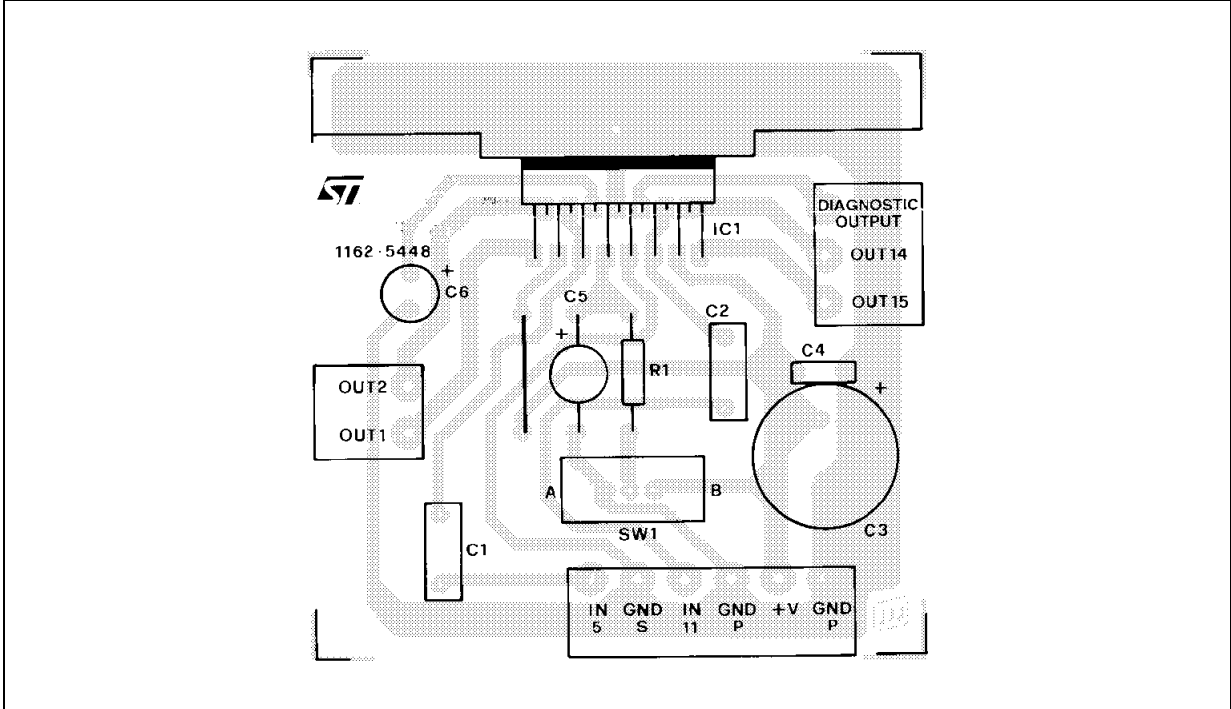
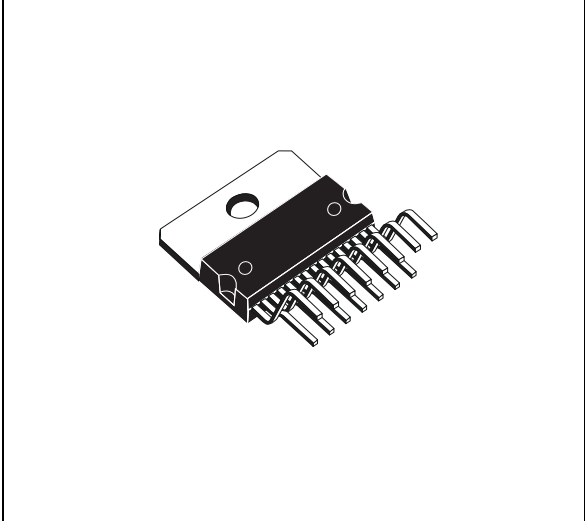


Figure 5. P.C. Board and Component Layout of the fig.2

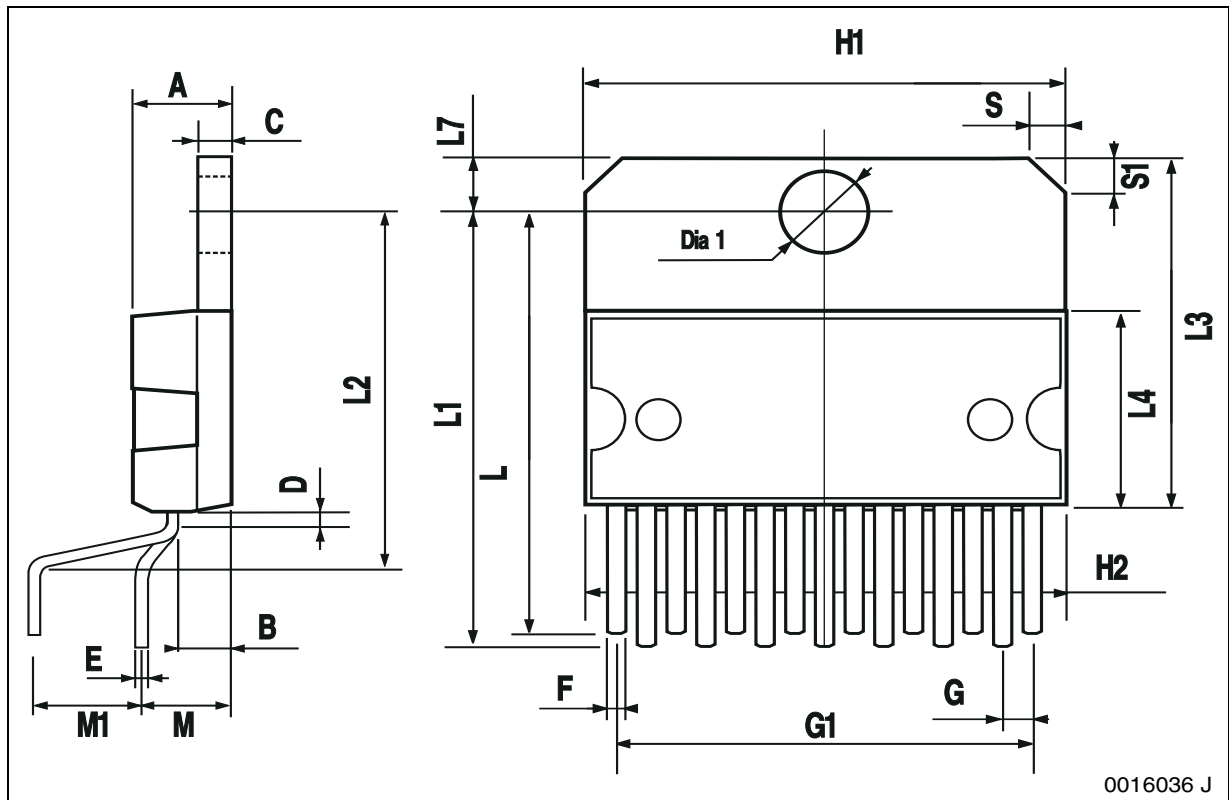


DIM.	mm			inch		
	MIN.	TYP.	MAX.	MIN.	TYP.	MAX.
A5						0.197
B			2.65			0.104
C			1.6			0.063
D		1			0.039	
E	0.49		0.55	0.019		0.022
F	0.66		0.75	0.026		0.030
G	1.02	1.27	1.52	0.040	0.050	0.060
G1	17.53	17.78	18.03	0.690	0.700	0.710
H1	19.6			0.772		
H2			20.2			0.795
L	21.9	22.2	22.5	0.862	0.874	0.886
L1	21.7	22.1	22.5	0.854	0.87	0.886
L2	17.65		18.1	0.695		0.713
L3	17.25	17.5	17.75	0.679	0.689	0.699
L4	10.3	10.7	10.9	0.406	0.421	0.429
L7	2.65		2.9	0.104		0.114
M	4.25	4.55	4.85	0.167	0.179	0.191
M1	4.73	5.08	5.43	0.186	0.200	0.214
S	1.9		2.6	0.075		0.102
S1	1.9		2.6	0.075		0.102
Dia1	3.65		3.85	0.144		0.152

OUTLINE AND MECHANICAL DATA



Multiwatt15 (Vertical)



Information furnished is believed to be accurate and reliable. However, STMicroelectronics assumes no responsibility for the consequences of use of such information nor for any infringement of patents or other rights of third parties which may result from its use. No license is granted by implication or otherwise under any patent or patent rights of STMicroelectronics. Specifications mentioned in this publication are subject to change without notice. This publication supersedes and replaces all information previously supplied. STMicroelectronics products are not authorized for use as critical components in life support devices or systems without express written approval of STMicroelectronics.

The ST logo is a registered trademark of STMicroelectronics.
All other names are the property of their respective owners

© 2004 STMicroelectronics - All rights reserved

STMicroelectronics GROUP OF COMPANIES

Australia - Belgium - Brazil - Canada - China - Czech Republic - Finland - France - Germany - Hong Kong - India - Israel - Italy - Japan -
Malaysia - Malta - Morocco - Singapore - Spain - Sweden - Switzerland - United Kingdom - United States

www.st.com