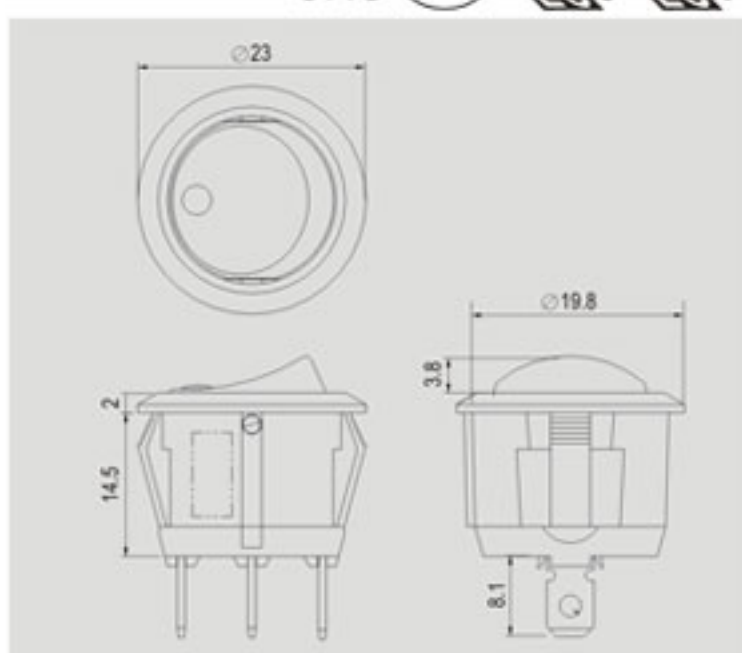
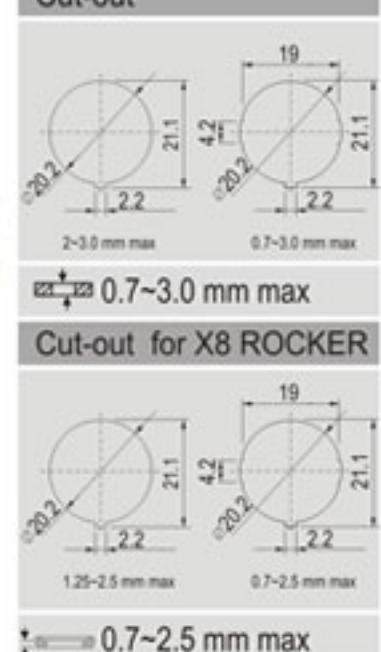


R13-112



Rating	16A 125V AC 10A 250V AC
Contact resistance	50mΩ Max
Insulation resistance	DC 500V 100MΩ Min
Dielectric strength	AC 1500V 1 minute
Cut-out	



FEATURES

- * MATERIAL: Frames are nylon (UL flame: 94V-2). Terminals are silver plated brass.
- * Illuminated actuators are molded in PC, available with red, amber and green colors.
- * Snap-in mounting, easy to install switch into panel.
- * Waterproof cover is optional, except LP & BP type.
- * The dimension of frame is 14.5mm, for shorter one, please refer to page.1-51 item no. R13-208.

* R13-112B9, R13-112B9F: LED with PCB inside for AC rating.



Ordering number instruction

R13-112 -

FUNCTION				TERMINAL
Different button (按鈕不同) A 2P SPST A 2 2P SPST A 5 2P SPST (Gloss Finish) A P 2P SPST				0 2 .187" SQ
Illuminated / Different button (帶燈/按鈕不同) B 3P SPST (NEON) 125VAC 33KΩ / 250VAC 150KΩ B 2 3P SPST (NEON) 125VAC 33KΩ / 250VAC 150KΩ B 9 3P SPST (W/O Lens) (LED) LED Rating @ 10mA V _f = 1.85V B 10 3P SPST (LED) LED Rating @ 10mA V _f = 1.85V B P 3P SPST (NEON) 125VAC 33KΩ / 250VAC 150KΩ				
Momentary / Illuminated / Different button (彈回/帶燈/按鈕不同) B F 3P SPST (NEON) 125VAC 33KΩ / 250VAC 150KΩ B 2 F 3P SPST (NEON) 125VAC 33KΩ / 250VAC 150KΩ B 9 F 3P SPST (W/O Lens) (LED) LED Rating @ 10mA V _f = 1.85V				
Different position / Different button (動作特性不同/按鈕不同) C 3P SPDT C P 3P SPDT D 3P SPDT D P 3P SPDT				
Momentary (彈回) E 2P SPST (OFF) F 2P SPST (ON) G 3P SPDT (ON) H 3P SPDT (ON) I 3P SPDT (ON)				
Independent circuit / Different button (獨立運路/按鈕不同) L 4P SPST (LED) LED Rating @ 10mA V _f = 1.85V L P 4P SPST (LED) LED Rating @ 10mA V _f = 1.85V L F 4P SPST (LED) LED Rating @ 10mA V _f = 1.85V				
Waterproof (防水) A 8 2P SPST B 8 3P SPST (NEON) 125VAC 33KΩ / 250VAC 150KΩ B 8 F 3P SPST (NEON) 125VAC 33KΩ / 250VAC 150KΩ C 8 3P SPDT D 8 3P SPDT F 8 2P SPST (ON)				